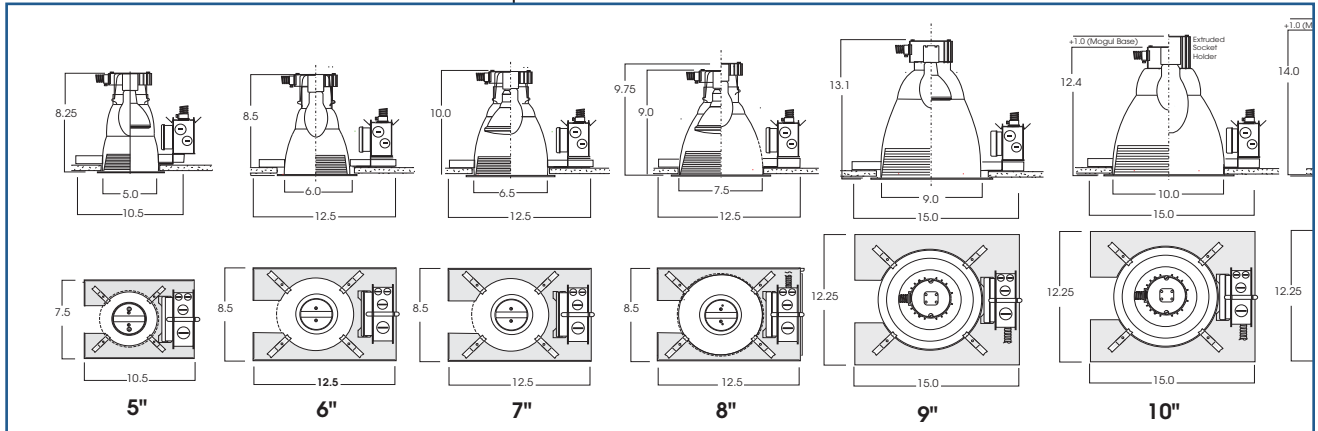
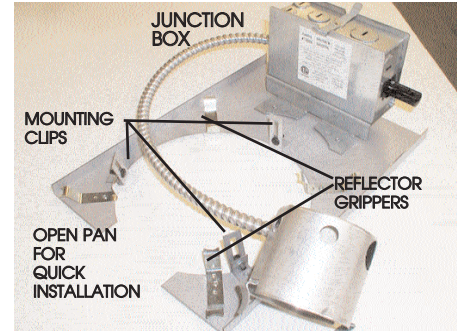


FEATURES:

- Easy to install remodeling system.
- .063 Heavy gauge reflector, self flange/white flange standard.
- Many finishes available on reflectors and flanges.
- Remodel ring made of 20 gauge galvanized steel for corrosion resistance.
- Positive locking clips on frame to secure reflector.
- Options include extended whip length, dimming ballasts, or quartz re-strike.
- Junction box removable, 13" whip standard
- Electronic ballast 120/277.
- ETL listed
- Made in USA

**REMODELERS
METAL HALIDE
SPLIT FRAME STYLE** **SPRM**
SERIES



ORDERING REMODEL FIXTURES

SIZE	SERIES	MAX WATTAGE	BALLAST	REFLECTOR
5"	SPRM5MH 5" Aperture	1 lamp up to 50 Watts	EX- 120/277V Electronic	5310 SG (OPEN) 5220 PG (LENS)*
6"	SPRM6MH 6" Aperture	1 lamp up to 100 Watts	EX- 120/277V Electronic	6410 SG (OPEN) 6420 PG (LENS)*
7"	SPRM7MH 7" Aperture	1 lamp up to 100 Watts	EX- 120/277V Electronic	7110 SG (OPEN) 7120 PG (LENS)*
8"	SPRM8MH 8" Aperture	1 lamp up to 100 Watts (OPEN)	EX- 120/277V Electronic	8110 SG (OPEN) 8120 PG (LENS)*
9"	SPRM9MH 9" Aperture	1 lamp up to 150 Watts (OPEN)	EX- 120/277V† Electronic	9110 SG (OPEN) 9120 PG (LENS)*
10"	SPRM10MH 10" Aperture	1 lamp up to 250 Watts (OPEN)	H1- 120V† H2- 277V†	1010 SG (OPEN) 1020 PG (LENS)*
12"	SPRM12MH 12" Aperture	1 lamp up to 250 Watts (OPEN)	H1- 120V† H2- 277V†	1210 SG (OPEN) 1220 PG (LENS)*
EXAMPLE: SPRM8V242EX/8610 SG			† F-Can Ballast will be used on fixtures over 100 watts.	* White splay with prismatic glass lens (PG) is standard on lensed fixtures

Dimensions shown are nominal. Spectrum Lighting is continually improving products and reserves the right to make changes that will not alter performance or appearance.



SUBMITTAL WORKSHEET	
MODEL NO.	
JOB NAME.	
FIXTURE TYPE	