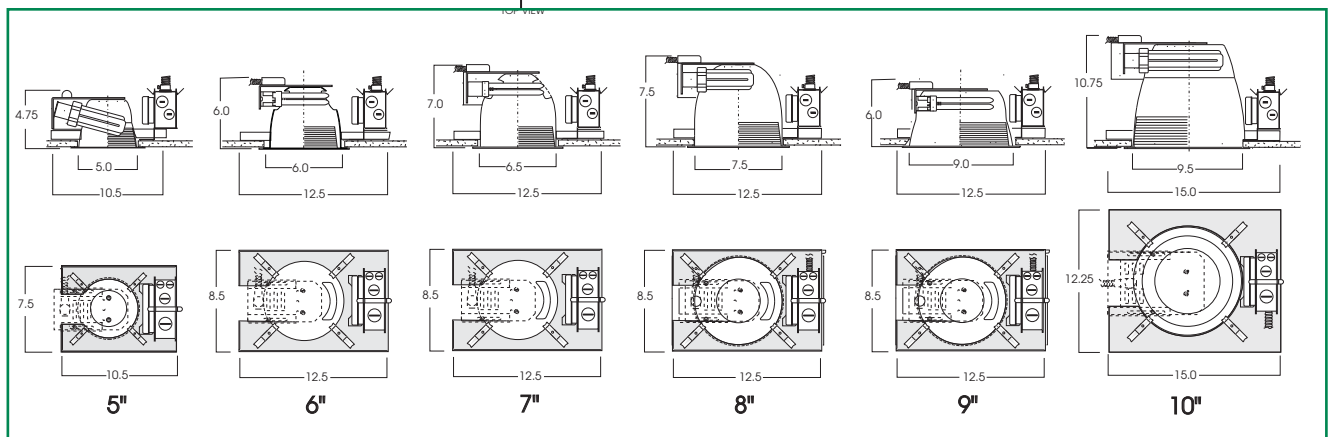
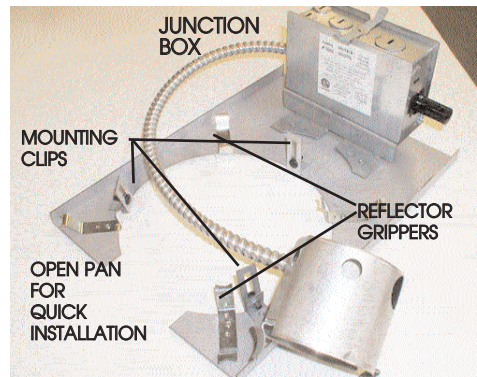


**FEATURES:**

- Easy to install remodeling system.
- .063 Heavy gauge reflector, self flange/white flange standard.
- Frame with junction box (and ballast) fits into existing aperture
- Many finishes available on reflectors and flanges.
- Positive locking clips on frame to secure reflector.
- Options include extended whip length, dimming ballasts, emergency ballasts and 2 circuit wiring.
- Electronic ballast 120/277. -10%thd
- UL Listed

**REMODELERS  
HORIZONTAL FLUORESCENT  
SPLIT FRAME STYLE**

**SPRM**  
SERIES



**ORDERING REMODEL FIXTURES**

SIZE	SERIES	MAX WATTAGE	BALLAST	REFLECTOR
5"	SPRM5HF 5" Aperture	1X18 QPL 1X26 Watts TRT	EX- 120/277 V Electronic	5610 CL (OPEN) 5620 PA (LENS)*
6"	SPRM6HF 6" Aperture	2X26 QPL 1X42 Watts TRT	EX- 120/277 V Electronic	6510 CL (OPEN) 6520 PA (LENS)*
7"	SPRM7HF 7" Aperture	2X26 QPL 1X42 Watts TRT	EX- 120/277 V Electronic	7510 CL (OPEN) 7520 PA (LENS)*
8"	SPRM8HF 8" Aperture	2X42 Watts TRT	EX- 120/277 V Electronic	8610 CL (OPEN) 8620 PA (LENS)*
9"	SPRM9HF 9" Aperture	3X42 Watts TRT 2X57WattsTRT	EX- 120/277 V Electronic	9410 CL (OPEN) 9420 PA (LENS)*
10"	SPRM10HF 10"Aperture	3X42 Watts TRT 2X70WattsTRT	EX- 120/277 V Electronic	9610 CL (OPEN) 9620 PA (LENS)*

EXAMPLE:SPRM8HF242EX/8610 CL

\* White splay with prismatic acrylic lens (PA) is standard on lensed CF fixtures

Dimensions shown are nominal. Spectrum Lighting is continually improving products and reserves the right to make changes that will not alter performance or appearance.



**SUBMITTAL WORKSHEET**

MODEL NO.

JOB NAME:.

FIXTURE TYPE:

