

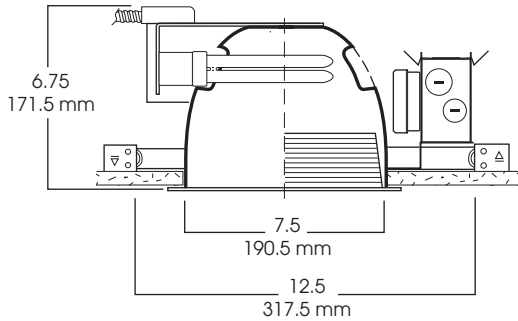
# 8" HORIZONTAL FLUORESCENT OPEN/LENS/WALL WASH 2 x 42 WATT MAX

## M8HF SPECTRUM SILVER SERIES™

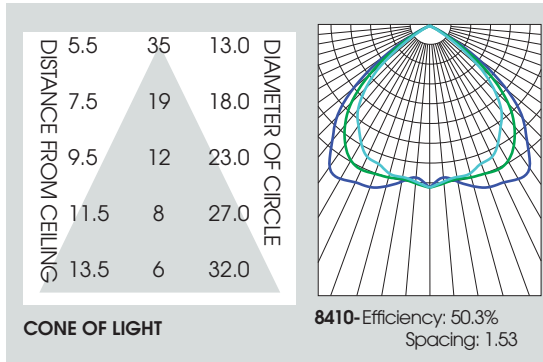
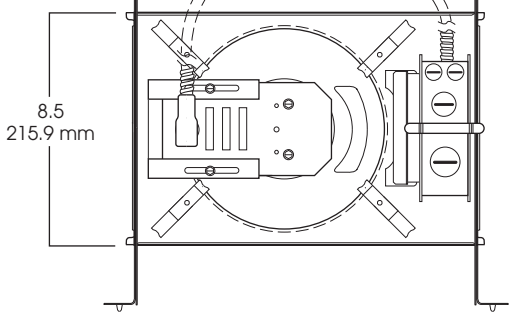


- 8" Medium Depth horizontal lamp compact fluorescent.
- Available open, lensed, and wall wash.
- 20 gauge galvanized steel frame.
- 12" bar hangers expandable to 24" standard.
- .0625 spun aluminum reflector.
- Junction box pre-wired, grounded.
- Electronic ballast 120/277V standard.
- Ballast serviceable from the ceiling aperture.
- Suitable for use in damp location. Lensed fixture has Wet Location option.
- UL listed to standard no. 1598.

### SIDE VIEW



### TOP VIEW



## 1. SPECIFY FRAME

FRAME	WATTS	BALLAST	OPTIONS
<b>SP8HF</b>	2 LAMP QUAD	<b>EX</b> -Electronic 120/277 (standard)	<b>EM</b> -Emergency battery pack (specify voltage)
Spectrum	<b>13</b>	<b>DA1</b> -Advance Mark10™ dimming, 120v	<b>FS</b> -Fuse holder and fuse
Silver 8"	<b>18</b>	<b>DA2</b> -Advance Mark 10™ powerline dimming, 277v	<b>PR</b> -Plaster ring (pg 1-430)
Horizontal	<b>26</b>	<b>DM7</b> -Advance MK7 Dimming 120/277	<b>RM</b> -Remodler housing
	1/2 LAMP TT	<b>DL1</b> -Lutron Compact SE™ 120v (min. dimming level 5%) <sup>1</sup>	<b>BH27</b> -27" mounting bar
	<b>13</b>	<b>DL2</b> -Lutron Compact SE™ 277v (min. dimming level 5%) <sup>1</sup>	<b>TBC</b> -T-bar clip
	<b>18</b>		
	<b>26</b>		
	<b>32</b>		
	<b>42</b>		
<b>SP8HF</b>	<b>142</b>	<b>EX</b>	

## 2. SPECIFY TRIM

OPEN			LENSED		
TRIM #	FINISH	OPTIONS	TRIM #	SPLAY FINISH	LENS/OPTIONS
<b>8410</b>	<b>SG</b> -Soft Glow	<b>PF</b> -Polished Flange	<b>8420</b>	<b>WS</b> -White / White flange (standard)	<b>PG</b> -Prismatic Glass lens (standard)
2 LAMPS 13W-26W (QUAD ONLY)	<b>CL</b> -Clear Alzak	<b>BF</b> -Black Flange			<b>FG</b> -Frosted Glass
	<b>GO</b> -Gold Alzak		<b>8425</b>	<b>SG</b> -Soft Glow/ White flange	<b>FL</b> -Fresnel Lens
	<b>HZ</b> -Haze		1 lamp 13w-42 TT	<b>RB</b> -Regressed Black baffle	<b>GL</b> -Clear Glass lens
<b>8415</b>	<b>PW</b> -Pewter	<b>BB</b> -Black Micro Baffle		<b>8430</b>	<b>GS</b> -Gasket
1 LAMP 13W-42W TT	<b>UM</b> -Umber Alzak	<b>WB</b> -White Micro Baffle		2 lamps 13w-42 TT	<b>WL</b> -Wet Location 1-470
	<b>WE</b> -Wheat Alzak				<b>XB</b> -Cross Blade Louver
	<b>BL</b> -Black Finish				
<b>8435</b>	<b>WH</b> -White Finish	<b>GS</b> -Gasket			
2 LAMP 13W-42W TT					
				<b>PF</b> -Polished Flange	
				<b>BF</b> -Black Flange	
<b>8410 SG</b>		<b>GS</b>	<b>8420 WS</b>		<b>PG</b>

## 3. FINISHED ORDER:

**SP8HF142EX/8425 WS PG**

Dimensions shown are nominal. Spectrum Lighting is continually improving products and reserves the right to make changes that will not alter performance or appearance with or without written notice.



PROJECT:

TYPE:

CAT. NO.:

