

8" HORIZONTAL FLUORESCENT SPREAD LENS WALL WASH 2 x 26 WATT / 1 x 42 WATT MAX



- 8" spread lens wall wash.
- 20 gauge galvanized steel frame.
- 12" bar hangers expandable to 24" standard.
- .0625 spun aluminum reflector.
- Junction box pre-wired, grounded.
- Electronic ballast 120/277V standard.
- Ballast serviceable from the ceiling aperture.
- Suitable for use in damp location.
- UL listed to standard no. 1598.

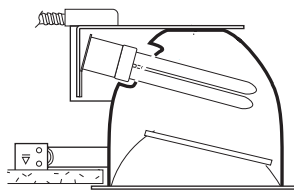
1. SPECIFY FRAME

FRAME	WATTS	BALLAST	OPTIONS
SPL8HF	2 QUAD	EX -Electronic 120/277 (standard)	EM -Emergency battery pack (specify voltage)
Spectrum	13	DA1 -Advance Mark10™ dimming, 120v	FS -Fuse holder and fuse
Silver 8"	18	DA2 -Advance Mark 10™ powerline dimming, 277v	PR -Plaster ring (pg 1-430)
Horizontal	26	DM7 -Advance MK7 Dimming 120/277	RM -Remodler housing
	1 or 2 LAMP TT	DL1 -Lutron Compact SE™ 120v (min. dimming level 5%) ¹	BH27 -27" mounting bar
	13TT	DL2 -Lutron Compact SE™ 277v (min. dimming level 5%) ¹	TBC -T-bar clip
	18TT		
	26TT		
	32TT		
	42TT		

SPL8HF 126 EX EM/

2. SPECIFY TRIM

SPREAD LENS WALL WASH



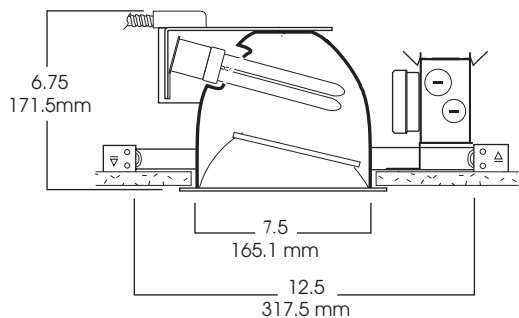
TRIM #	FINISH	OPTIONS
8950 Wall Wash 2 QUAD	SG -Soft Glow CL -Clear Alzak GO -Gold Alzak HZ -Haze	PG -Prismatic Glass lens (standard) SO -Micro Prism Solite Lens
8955 Lensed 1TT	PW -Pewter UM -Umber Alzak WE -Wheat Alzak	GS -Gasket
8960 Lensed 2TT	BL -Black Finish WH -White Finish PF -Polished Flange BF -Black Flange	

8955 PG

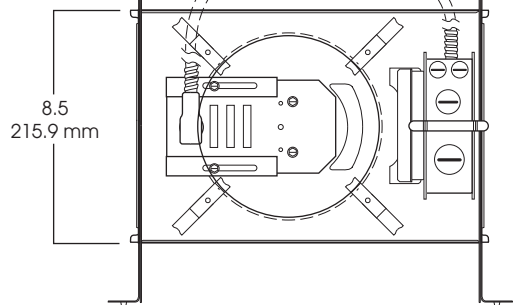
3. FINISHED ORDER:

SPL8HF126EX/8955 SG PG

SIDE VIEW



TOP VIEW



Dimensions shown are nominal. Spectrum Lighting is continually improving products and reserves the right to make changes that will not alter performance or appearance with or without written notice.



PROJECT:	TYPE:
CAT. NO.:	

