

# 12" CYLINDER SERIES CROSS BLADE 12" ROUND 2 x 26 WATT MAX CF

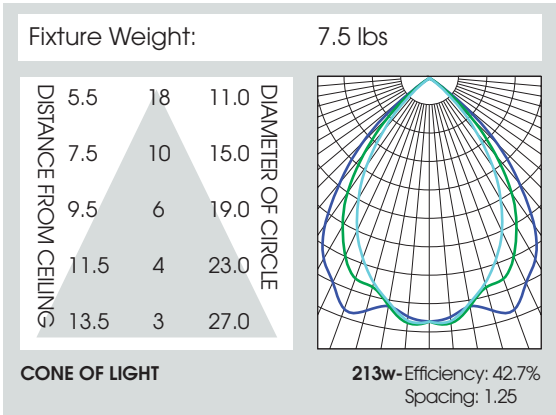
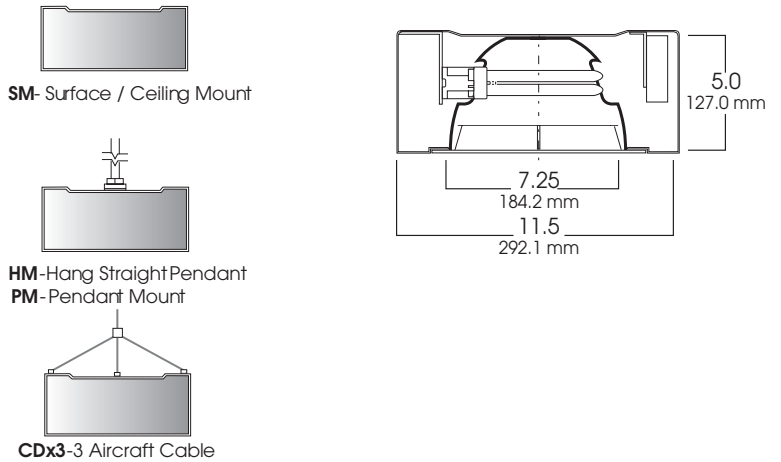
## SPCX12 SPECTRUM CYLINDERS



### PRODUCT INFORMATION:

- 12" round shallow cylinder series for use with compact fluorescent lamps.
- Spun aluminum cylinder.
- 2 x 26 watt max triple tube compact fluorescent lamp.
- 20 powder coat options.
- Suitable for damp locations.
- Manufactured and tested to UL standard No. 1598.

### MOUNTING



SERIES	WATTS	BALLAST	OPTIONS	REFLECTOR	TRIM OPTIONS	MOUNTING	FINISH
SPCX1205CF- Compact Fluorescent Shallow Cross Blade Spectrum Cylinder	(1 or 2) <b>13</b> (1 or 2) <b>18</b> (1 or 2) <b>26</b>	<b>EX</b> -Electronic 120v / 277v (standard)	<b>FS</b> -Fuse holder and fuse <b>EMIT</b> -Emergency Integral with Switch (specify voltage) <b>EMENC</b> -Remote Ballast Enclosure <b>CP113</b> -Ceiling Surface Enclosure	<b>8320-SGXB</b> -Soft Glow Alzak Cross Blade <b>CCXB</b> -Custom Color (consult factory)	<b>PC</b> -Overlay Polycarbonate Lens <b>GL</b> -Clear Tempered Glass Lens <b>PG</b> -Prismatic Glass Lens	<b>HM*</b> -Hang-Straight Mounting <b>HMAT**</b> -Field Cutable Length Hang Straight Pendant <b>PM*</b> -Pendant Mount <b>SM</b> -Surface Mount <b>CDx3</b> -3 Aircraft Cable & Cord)  * Specify Length in inches **12" or 36" lengths only  See Cylinder Mounting Page for Additional Information	<b>GW</b> -Gloss White <b>GB</b> -Gloss Black <b>MW</b> -Matte White <b>MB</b> -Matte Black <b>BZ</b> -Bronze <b>PT</b> -Platinum Silver <b>MT</b> -Mini Tek Silver <b>TW</b> -Textured White <b>CC</b> -Custom Color
<b>SPCX1205CF</b>	<b>226</b>	<b>EX</b>	<b>FS</b>	<b>8320 SGXB</b>	<b>PC</b>	<b>HM36</b>	<b>GW</b>

Dimensions shown are nominal. Spectrum Lighting is continually improving products and reserves the right to make changes that will not alter performance or appearance with or without written notice.



<b>PROJECT:</b>	<b>TYPE:</b>
<b>CAT. NO.:</b>	

