



SPC13 SPECTRUM CYLINDERS

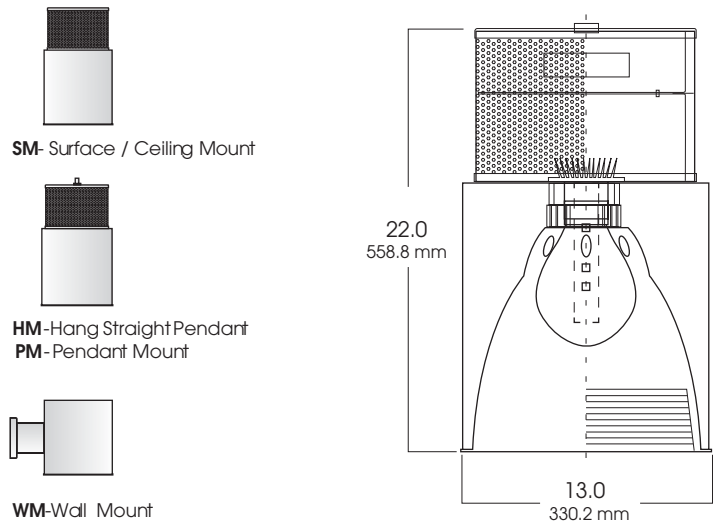
13" INDUCTION CYLINDER OPEN 13" ROUND 165 WATT MAX INDUCTION

PRODUCT INFORMATION:

- 13" round diameter cylinder series to utilize induction lamp system.
- 100,000 hours rated life.
- Instant On/Off 3 wattages, 3 color (Kelvin) temperatures.
- 20 powder coat options.
- Canopy / Wiring compartment at top of cylinder for surface and pendant mount.
- Suitable for damp locations.
- Manufactured and tested to UL standard No. 1598.

Fixture Weight: 22.0 lbs

MOUNTING



SERIES	WATTS	LAMP	GENERATOR	TRIM / FINISH	MOUNTING	FINISH
SPC1322DU- Spectrum Induction Cylinder	55 85 165	3K -3000° Kelvin 4K -4000° Kelvin 5K -5000° Kelvin	G1 -Generator 120v G2 -Generator 277v	1216 SG -Soft Glow Alzak (standard) BB -Black Micro Baffle WB -White Micro Baffle	HM* -Hang-Straight Mounting HMAT** -Field Cutable Length Hang Straight Pendant PM* -Pendant Mount SM -Surface Mount WM -Wall Mount	GW -Gloss White GB -Gloss Black MW -Matte White MB -Matte Black BZ -Bronze PT -Platinum Silver MT -Mini Tek Silver TW -Textured White CC -Custom Color
SPC1322DU	85	4K	G1	1216 SG	HM36	GW

* Specify Length in inches
**12" or 36" lengths only
See Cylinder Mounting Page
for Additional Information

Dimensions shown are nominal. Spectrum Lighting is continually improving products and reserves the right to make changes that will not alter performance or appearance with or without written notice.



PROJECT:	TYPE:
CAT. NO.:	

