

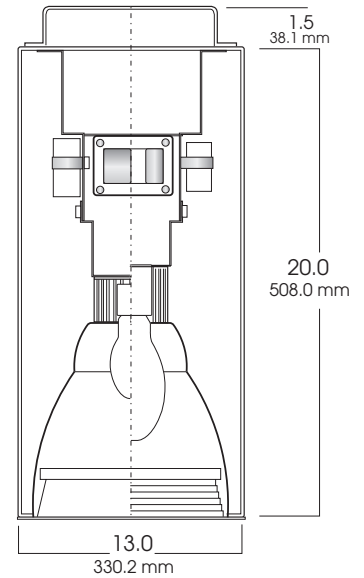
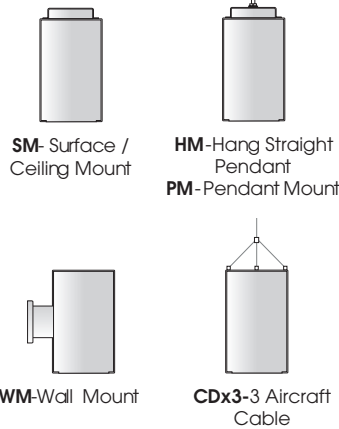
13" CYLINDER SERIES LENSED 13" ROUND PAR / ED17-250 WATT MAX MH



PRODUCT INFORMATION:

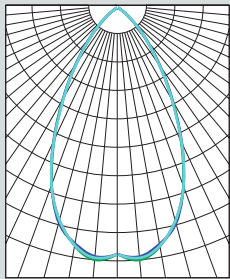
- 13" diameter cylinder series for use with metal halide or high pressure sodium lamps.
- Welded aluminum cylinder.
- PAR or ED17 lamps. 250 Watt Max.
- 20 color options.
- Canopy/wiring compartments at top of cylinder for surface and pendant mounting.
- Suitable for damp location.
- Manufactured and tested to UL standard No. 1598.

MOUNTING



Fixture Weight: 32.0 lbs

DISTANCE FROM CEILING	DIAMETER OF CIRCLE
5.5	120
7.5	65
9.5	40
11.5	27
13.5	20



CONE OF LIGHT

100w-Efficiency: 46.3%
Spacing 0.89

SERIES	WATTS	BALLAST	LAMP OPTIONS	TRIM	SPLAY	LENS	MOUNTING	FINISH
SPC1320MH- Spectrum Metal Halide Cylinder	50* 70* 100* 150* 175 250	*E1 -Electronic, 120v *E2 -Electronic, 277v H1 -Magnetic ballast, 120v H2 -Magnetic ballast, 277v	PAR ED17 ED28 QRS GEM	FS -Fuse holder and fuse *Specify Voltage 120v or 277v	1020-SG -Semi- Diffuse Low Iridescent RB -Regressed Baffle / Splay XB -Cross Blade	GL -Clear Tempered Glass Lens FG -Frosted Glass Lens PG -Prismatic Glass Lens FL -Fresnel Glass Lens SO -Micro Prism Solite™ Lens WL -Wet Location	HM* -Hang-Straight Mounting HMAT** -Field Cutable Length Hang Straight Pendant PM* -Pendant Mount SM -Surface Mount WM -Wall Mount CDx3 -3 Aircraft Cable & Cord	GW -Gloss White GB -Gloss Black MW -Matte White MB -Matte Black BZ -Bronze PT -Platinum Silver MT -Mini Tek Silver TW -Textured White CC -Custom Color
SPC1320MH	100	E1	ED17	FS	1020 SG	GL	HM36	GW

* For High Pressure Sodium use HS in place of MH

* Specify Length in inches
**12" or 36" lengths only
See Cylinder Mounting Page for Additional Information

Dimensions shown are nominal. Spectrum Lighting is continually improving products and reserves the right to make changes that will not alter performance or appearance with or without written notice.



PROJECT:	TYPE:
CAT. NO.:	

