

12" CYLINDER SERIES
LENSED 12" DIRECT / INDIRECT
 PAR/ED-175 WATT MAX MH
 *WET LOCATION OPTION

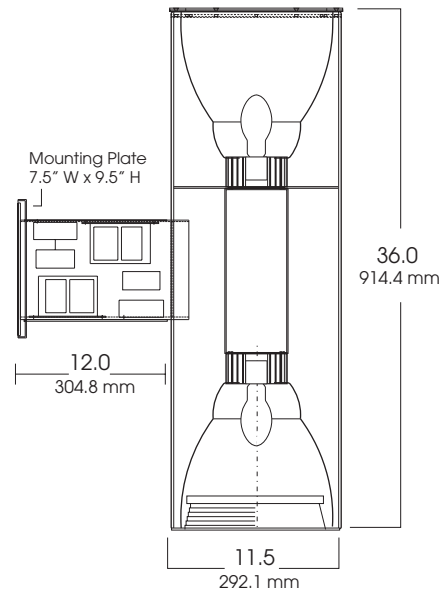
SPC12
SPECTRUM
CYLINDERS



Fixture Weight: 45.0 lbs

PRODUCT INFORMATION:

- 12" cylinder series provides direct and indirect lighting for use with metal halide or high pressure sodium lamps.
- Heavy gauge welded seamless aluminum cylinder.
- PAR, ED17 or ED27 lamps. 175 watt max.
- 20 powder coat options.
- Suitable for damp locations. Wet location available.
- Manufactured and tested to UL standard No. 1598.



SERIES	UP	DOWN	BALLAST	OPTIONS	TRIM	SPLAY	LENSES	MOUNTING	FINISH
SPC1236UDMH- Spectrum Direct/ Indirect Metal Halide Cylinder	(39)* (50)* (70)* (100)* (150) (175)	(39)* (50)* (70)* (100)* (150) (175)	*E1 -Electronic 120v *E2 -Electronic 277v H1 -Magnetic ballast, 120v H2 -Magnetic ballast, 277v	FS -Fuse Holder and Fuse QRS -Quartz Re- Strike* GEM -Quartz Emergency Circuit *Specify Voltage 120v or 277v	1025-SG	-Semi-Diffuse Low Iridescent RB -Regressed Baffle / Splay RW -Regressed White Splay	PG -Prismatic Glass Lens FG -Frosted Glass Lens GL -Glass Lens FL -Fresnel Glass Lens GS -Gasket WL -Wet Location	WM -Wall Mount (Ballast Mounted in Arm) CDx3 -3 Aircraft Cable & Cord	GW -Gloss White GB -Gloss Black MW -Matte White MB -Matte Black BZ -Bronze PT -Platinum Silver MT -Mini Tek Silver TW -Textured White CC -Custom Color
SPC1236UDMH	(39)	(70)	E1	FS	1025	SG	PG	WM	GW

* For High Pressure Sodium use **HS**

Dimensions shown are nominal. Spectrum Lighting is continually improving products and reserves the right to make changes that will not alter performance or appearance with or without written notice.



PROJECT:	TYPE:
CAT. NO.:	

