

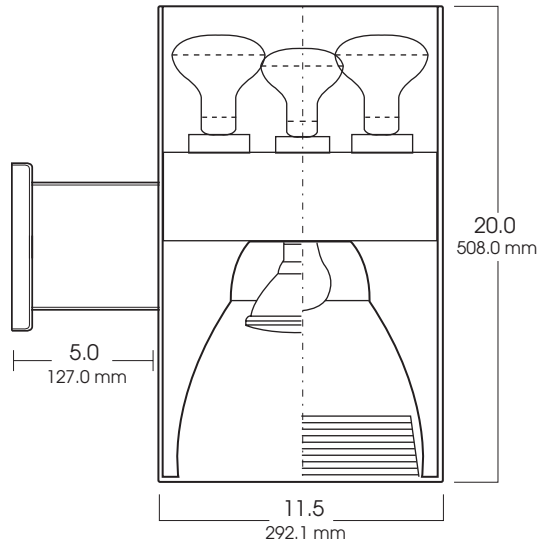
12" CYLINDER SERIES
OPEN 12" ROUND-DIRECT / INDIRECT
A/PAR/R-250 WATT MAX INC



Fixture Weight: 20.0 lbs

PRODUCT INFORMATION:

- 12" cylinder series provides direct and indirect lighting for use with incandescent lamps.
- Heavy gauge welded aluminum cylinder.
- 20 powder coat options.
- Suitable for damp locations.
- Consult factory for hang mount options.
- 120 Volt standard.
- Manufactured and tested to UL standard No. 1598.



SERIES	UP	DOWN	OPTIONS	TRIM / FINISH	MOUNTING	FINISH
SPC1220UDINC- Spectrum Direct/Indirect Incandescent Cylinder	(1-3) (A 19) (1-3) (PAR 20) (1-3) (PAR 30) (1-3) (R 30)	(A 19) (A 21) (PAR 30) (PAR 38) (R 30) (R 40)	FS -Fuse Holder and Fuse	1015-SG -Semi-Diffuse Low Iridescent CC -Custom Color BB -Black Micro Baffle WB -White Micro Baffle	WM -Wall Mount (Fixture Mounts 5" off Wall)	GW -Gloss White GB -Gloss Black MW -Matte White MB -Matte Black BZ -Bronze PT -Platinum Silver MT -Mini Tek Silver TW -Textured White CC -Custom Color
SPC1220UDINC	3X(PAR20)	(PAR38)	FS	1015 SG	WM	GW

Dimensions shown are nominal. Spectrum Lighting is continually improving products and reserves the right to make changes that will not alter performance or appearance with or without written notice.



PROJECT:	TYPE:
CAT. NO.:	

