



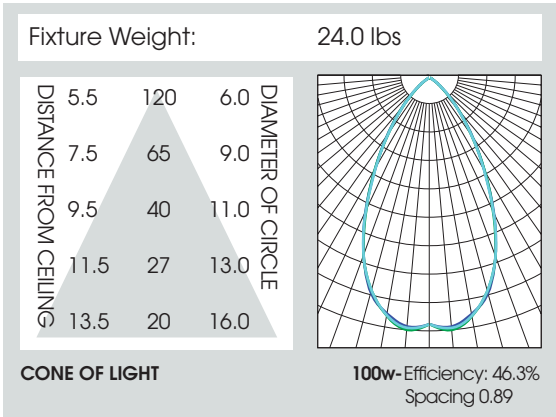
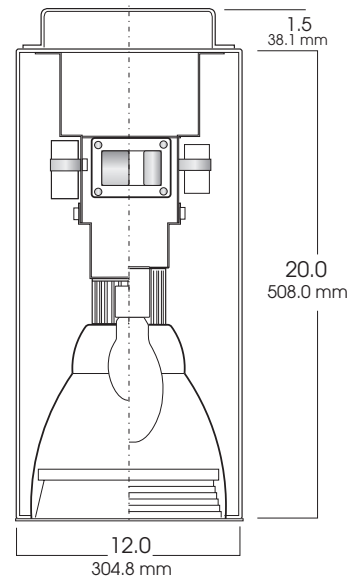
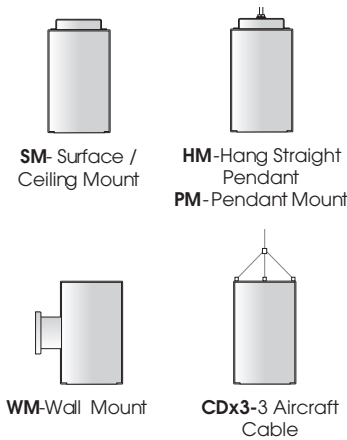
# 12" CYLINDER SERIES LENSED 12" ROUND PAR 30/38 / ED17-175 WATT MAX MH

## SPC12 SPECTRUM CYLINDERS

### PRODUCT INFORMATION:

- 12" diameter cylinder series for use with metal halide or high pressure sodium lamps.
- Welded Aluminum Cylinder
- PAR or ED17 lamps. (150 watt max electronic / 175 watt max magnetic).
- 20 color options.
- Canopy/wiring compartments at top of cylinder for surface and pendant mounting.
- Suitable for damp location.
- Manufactured and tested to UL standard No. 1598.

### MOUNTING



SERIES	WATTS	BALLAST	LAMP	OPTIONS	TRIM	SPLAY	LENS	MOUNTING	FINISH
SPC1220MH- Spectrum Metal Halide Cylinder	50* 70* 100* 150 175	*E1 -Electronic, 120v *E2 -Electronic, 277v H1 -Magnetic ballast, 120v H2 -Magnetic ballast, 277v	ED17 PAR30 PAR38	FS -Fuse holder and fuse QRS -Quartz Re-Strike* QEM -Quartz Emergency Circuit  *Specify Voltage 120v or 277v	1020-SG	-Semi- Diffuse Low Iridescent RB -Regressed Baffle / Splay XB -Cross Blade	GL -Clear Tempered Glass Lens FG -Frosted Glass Lens FL -Fresnel Glass Lens SO -Micro Prism Solite™ Lens WL -Wet Location	HM* -Hang-Straight Mounting HMAT** -Field Cutable Length Hang Straight Pendant PM* -Pendant Mount SM -Surface Mount WM -Wall Mount CDx3 -3 Aircraft Cable & Cord  * Specify Length in inches **12" or 36" lengths only  See Cylinder Mounting Page for Additional Information	GW -Gloss White GB -Gloss Black MW -Matte White MB -Matte Black BZ -Bronze PT -Platinum Silver MT -Mini Tek Silver TW -Textured White CC -Custom Color
<b>SPC1220MH</b>	<b>100</b>	<b>E1</b>	<b>ED17</b>	<b>FS</b>	<b>1020</b>	<b>SG</b>	<b>GL</b>	<b>HM36</b>	<b>GW</b>

\* For High Pressure Sodium use **HS** in place of **MH**

Dimensions shown are nominal. Spectrum Lighting is continually improving products and reserves the right to make changes that will not alter performance or appearance with or without written notice.



<b>PROJECT:</b>	<b>TYPE:</b>
<b>CAT. NO.:</b>	

