



12" CYLINDER SERIES

OPEN 12" ROUND

PAR 30/38 / ED17-175 WATT MAX MH

SPC12

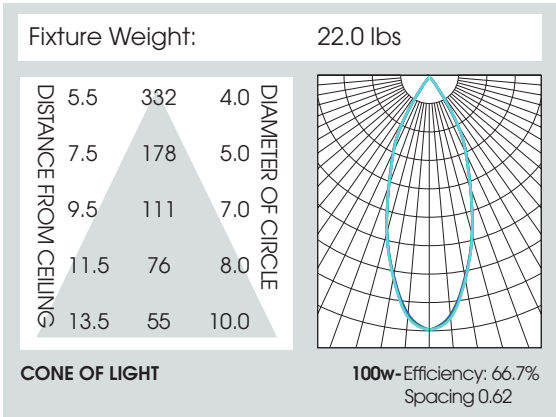
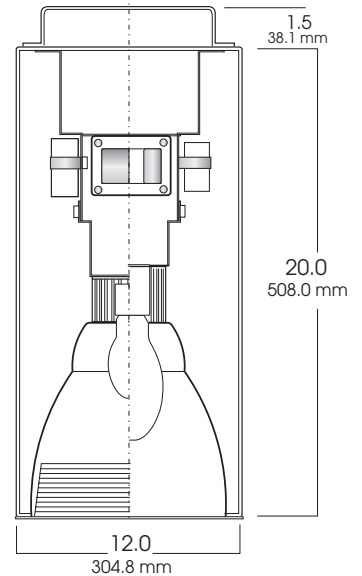
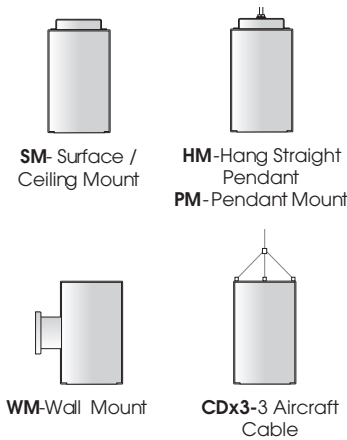
SPECTRUM

CYLINDERS

PRODUCT INFORMATION:

- 12" diameter cylinder series for use with open rated metal halide or high pressure sodium lamps.
- Welded aluminum cylinder.
- PAR or ED17 lamps. (150 watt max electronic / 175 watt max magnetic).
- 20 color options.
- Canopy/wiring compartments at top of cylinder for surface and pendant mounting.
- Suitable for damp location.
- Manufactured and tested to UL standard No. 1598.

MOUNTING



SERIES	WATTS	BALLAST	LAMP	OPTIONS	REFLECTOR	MOUNTING	FINISH
SPC1220MH- Spectrum Metal Halide Cylinder	50* 70* 100* 150 175	*E1 -Electronic, 120v *E2 -Electronic, 277v H1 -Magnetic ballast, 120v H2 -Magnetic ballast, 277v	ED17 PAR30 PAR38	FS -Fuse holder and fuse QRS -Quartz Re-Strike* GEM -Quartz Emergency Circuit *Specify Voltage 120v or 277v	1010-SG -Semi-Diffuse Low Iridescent CC -Custom Color BB -Black Micro Baffle WB -White Micro Baffle	HM* -Hang-Straight Mounting HMAT** -Field Cutable Length Hang Straight Pendant PM* -Pendant Mount SM -Surface Mount WM -Wall Mount CDx3 -3 Aircraft Cable & Cord * Specify Length in inches **12" or 36" lengths only See Cylinder Mounting Page for Additional Information	GW -Gloss White GB -Gloss Black MW -Matte White MB -Matte Black BZ -Bronze PT -Platinum Silver MT -Mini Tek Silver TW -Textured White CC -Custom Color
SPC1220MH	100	E1	ED17	FS	1010 SG	HM36	GW

* For High Pressure Sodium use **HS** in place of **MH**

Dimensions shown are nominal. Spectrum Lighting is continually improving products and reserves the right to make changes that will not alter performance or appearance with or without written notice.



PROJECT:	TYPE:
CAT. NO.:	

