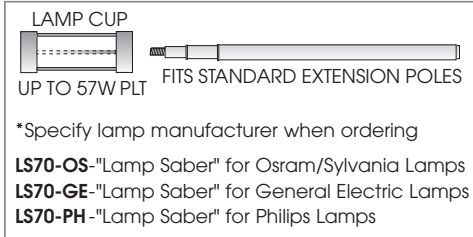


12" CYLINDER SERIES 357 MAGNUM 3 x 57 WATT MAX CF

SPC12
SPECTRUM
CYLINDERS



Fixture Weight: 12.5 lbs



*Specify lamp manufacturer when ordering

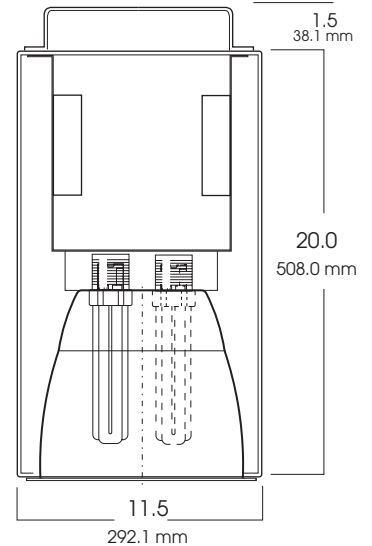
LS70-OS-"Lamp Saber" for Osram/Sylvania Lamps
LS70-GE-"Lamp Saber" for General Electric Lamps
LS70-PH-"Lamp Saber" for Philips Lamps

PATENT PENDING

PRODUCT INFORMATION:

- 12" cylinder series for use with compact fluorescent lamps.
- Welded aluminum cylinder.
- 3 x 57 watt max triple tube compact fluorescent lamp.
- 20 powder coat options.
- Suitable for damp locations.
- 120 Volt standard.
- Manufactured and tested to UL standard No. 1598.

MOUNTING



SERIES	WATTS	BALLAST	OPTIONS	REFLECTOR	MOUNTING	FINISH
SPC1220CF - Compact Fluorescent Spectrum Cylinder	(2 or 3) 26 (2 or 3) 32 (2 or 3) 42 (2 or 3) 57	EX -Electronic 120v / 277v (standard)	FS -Fuse holder and fuse EMIT -Emergency Integral Switch (specify voltage) EMENC -Remote Ballast Enclosure CP113 -Ceiling Surface Enclosure	9375-SG -Soft Glow Alzak CC -Custom Color BB -Black Micro Baffle WB -White Micro Baffle *9375 -3 Lamps *9376 -2 Lamps	HM* -Hang-Straight Mounting HMAT** -Field Cutable Length Hang Straight Pendant PM* -Pendant Mount SM -Surface Mount WM -Wall Mount CDx3 -3 Aircraft Cable & Cord * Specify Length in inches **12" or 36" lengths only See Cylinder Mounting Page for Additional Information	GW -Gloss White GB -Gloss Black MW -Matte White MB -Matte Black BZ -Bronze PT -Platinum Silver MT -Mini Tek Silver TW -Textured White CC -Custom Color
SPC1220CF	226	EX	FS	9375 SG	HM36	GW

Dimensions shown are nominal. Spectrum Lighting is continually improving products and reserves the right to make changes that will not alter performance or appearance with or without written notice.



PROJECT:	TYPE:
CAT. NO.:	

