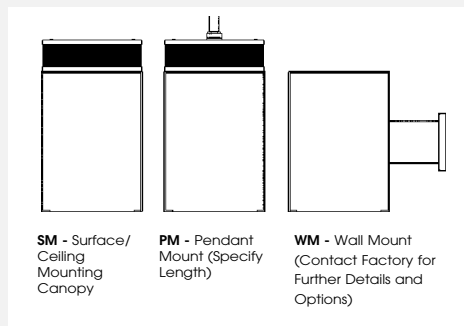


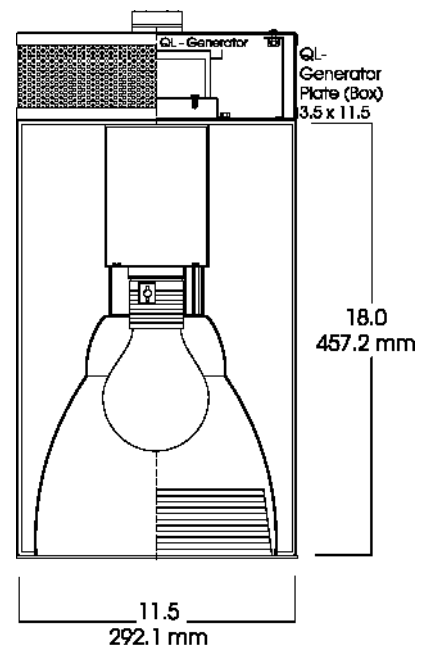
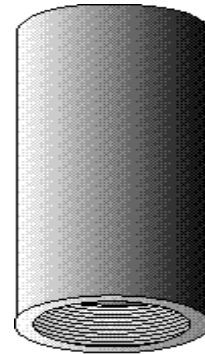
FEATURES:

- 12" diameter cylinder series to utilize the new Philips QL System technology.
- 100,000 hours rated life.
- Instant On/Off 3 wattages 2 color (K) temp
- Soft Glow Alzak trim standard.
Rolled flange to finish edge.
- Solid aluminum cylinder.
- 20 color options, matte white standard.
- Mounting arm, or stem and canopy will be finished to match fixture.
- Canopy/wiring compartment at top of cylinder for surface and pendant mounting.
- Suitable for damp locations
- Manufactured and tested to UL standard No. 1598. ETL Listed.



Dimensions shown are nominal. Spectrum Lighting is continually improving products and reserves the right to make changes that will not alter performance or appearance.

**12" X 18" QL CYLINDER SERIES
10" OPEN FIXTURE/BAFFLE
85 WATT QL MAX**



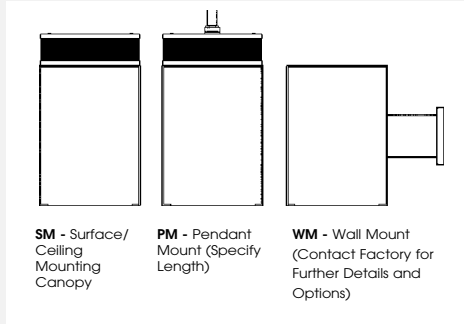
SERIES	LAMP TYPE	WATTS	VOLTAGE	REFLECTOR	MOUNTING	FINISH
SPC1218QL						
SPC1218QL QL Induction lamp Spectrum Cylinder	QL-3K - 3000 ° Kelvin (induction lamps) QL-4K - 4000 ° Kelvin (induction lamps)	55 85	H1 -120 H2 - 277	1010 SG - Soft Glow 1010 * - Other finish (specify) BB - Black Micro Baffle WB - White Micro Baffle	SM - Surface/ Ceiling CD - Aircraft cable & Cord (CD-CC Cable & Coil Cord) HM - Hang Straight Pendant Mount (Specify Length in inches) PM - Pendant Mount (Specify Length in inches) WM - Wall Mount Note: Ballast in mount- ing arm. Dimensions may change	MW - MatteWhite (Standard) MB - Matte Black BZ - Bronze Choose from 20 other available finishes Consult Factory

TYPICAL ORDER
SPC1218QL/4K/55H2/1020 SG GL/WM/WL/BZ



FEATURES:

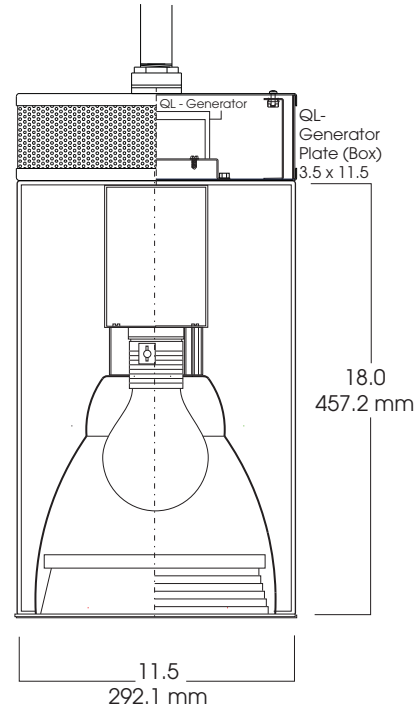
- 12" diameter cylinder series to utilize the new Philips QL System technology.
- 100,000 hours rated life.
- Instant On/Off 3 wattages 2 color (K) temp
- Soft Glow Alzak trim standard. Rolled flange to finish edge.
- Solid aluminum cylinder.
- 20 color options, matte white standard.
- Mounting arm, or stem and canopy will be finished to match fixture.
- Canopy/wiring compartment at top of cylinder for surface and pendant mounting.
- Suitable for damp locations
- Manufactured and tested to UL standard No. 1598. ETL Listed.



SM - Surface/ Ceiling Mounting Canopy
PM - Pendant Mount (Specify Length)
WM - Wall Mount (Contact Factory for Further Details and Options)

Dimensions shown are nominal. Spectrum Lighting is continually improving products and reserves the right to make changes that will not alter performance or appearance.

**12" QL CYLINDER SERIES
 LENSED TRIM/BAFFLE
 85 WATT MAX**



SERIES	LAMP TYPE	WATTS	VOLTAGE	TRIM SPLAY	LENS	MOUNTING	FINISH
SPC1218QL							
SPC1218QL QL Induction lamp Spectrum Cylinder	QL-3K - 3000 ° Kelvin (induction lamps) QL-4K - 4000 ° Kelvin (induction lamps)	55 85	H1-120 H2- 277	1020 SG - Soft Glow/Flange (standard) 1020 RB - Regressed Baffled Splay	GL - Clear Temp Glass Lens FG - Frosted Glass Lens FL - Fresnel Glass Lens PG - Prismatic Glass Lens	SM - Surface/ Ceiling CD - Aircraft cable & Cord (CD-CC Cable & Coil Cord) HM - Hang Straight Pendant Mount (Specify Length in inches) PM - Pendant Mount (Specify Length in inches) WM - Wall Mount Note: Ballast in mounting arm. Dimensions may change	MW - MatteWhite (Standard) MB - Matte Black BZ - Bronze Choose from 20 other available finishes Consult Factory

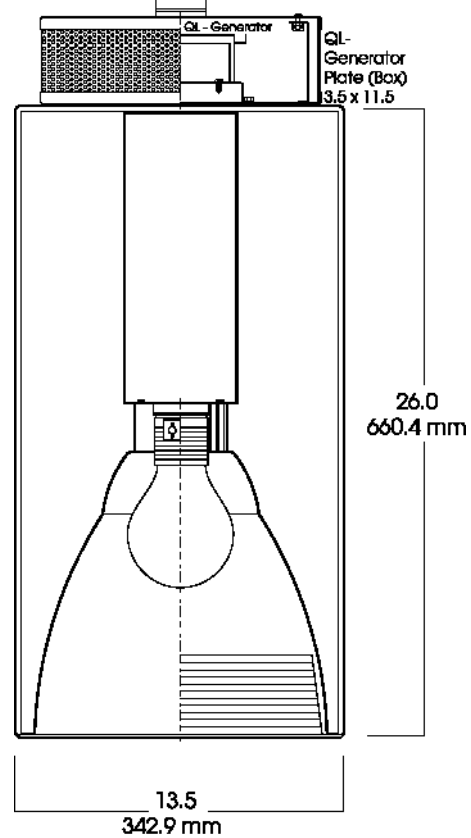
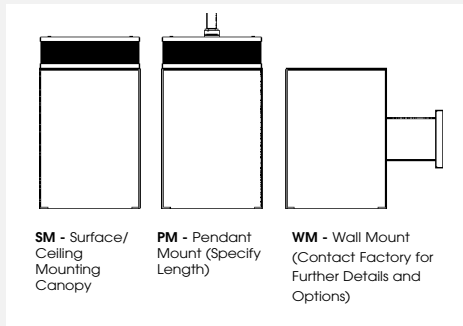
TYPICAL ORDER
 SPC1218QL/4K/55H2/1020 SG GL/WM/WL/BZ



FEATURES:

- 14" diameter cylinder series to utilize the new Philips QL System technology.
- 100,000 hours rated life.
- Instant On/Off 3 wattages 2 color (K) temp
- Soft Glow Alzak trim standard.
Rolled flange to finish edge.
- Solid aluminum cylinder.
- 20 color options, matte white standard.
- Mounting arm, or stem and canopy will be finished to match fixture.
- Canopy/wiring compartment at top of cylinder for surface and pendant mounting.
- Suitable for damp locations
- Manufactured and tested to UL standard No. 1598. ETL Listed.

**14" x 28" QL CYLINDER SERIES
14" OPEN FIXTURE/BAFFLE
165 WATT QL MAX**



Dimensions shown are nominal. Spectrum Lighting is continually improving products and reserves the right to make changes that will not alter performance or appearance.

SERIES	LAMP TYPE	WATTS	VOLTAGE	REFLECTOR	MOUNTING	FINISH
SPC1428QL						
SPC1428QL QL Induction lamp Spectrum Cylinder	QL-3K- 3000 ° Kelvin (induction lamps)	55 85 165	H1-120 H2- 277	1210 SG- Soft Glow 1210 * - Other finish (specify) BB - Black Micro Baffle WB - White Micro Baffle	SM - Surface/ Ceiling CD - Aircraft cable & Cord (CD-CC Cable & Coil Cord) HM - Hang Straight Pendant Mount (Specify Length in inches) PM - Pendant Mount (Specify Length in inches) WM - Wall Mount Note: Ballast in mount- ing arm. Dimensions may change	MW- MatteWhite (Standard) MB - Matte Black BZ - Bronze Choose from 20 other available finishes Consult Factory

TYPICAL ORDER
SPC1428QL/4K/85H2/1210 SG/HM12/BZ

