

12" CYLINDER SERIES

LENSED 12" ROUND DIRECT/INDIRECT

2 x 42 WATT MAX CF

*WET LOCATION OPTION

SPC12
SPECTRUM
CYLINDERS

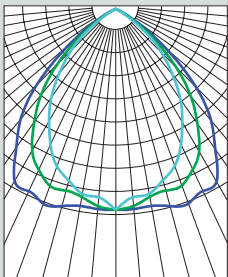


PRODUCT INFORMATION:

- 12" cylinder series provides direct and indirect lighting.
- For compact fluorescent lamps.
- Heavy gauge extruded aluminum cylinder.
- 2 x 42 watt max compact fluorescent.
- 20 powder coat options.
- Suitable for damp locations. Wet location available.
- Consult factory for hang mount options.
- Manufactured and tested to UL standard No. 1598.

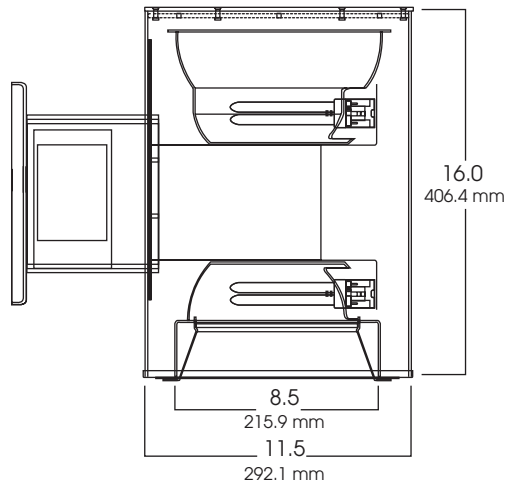
Fixture Weight: 24.0 lbs

DISTANCE FROM CEILING	42	11.0	DIAMETER OF CIRCLE
5.5	42	11.0	
7.5	22	15.0	
9.5	14	19.0	
11.5	9	23.0	
13.5	7	27.0	



CONE OF LIGHT

232w-Efficiency: 23.0%
Spacing: 1.36



SERIES	UP	DOWN	BALLAST	OPTIONS	TRIM	SPLAY	LENSES	MOUNTING	FINISH
SPC1216UDCF- Spectrum Direct/ Indirect Compact Fluorescent Cylinder	(1 or 2) (18) (1 or 2) (26) (1 or 2) (32) (1 or 2) (42)	(1 or 2) (18) (1 or 2) (26) (1 or 2) (32) (1 or 2) (42)	EX -Electronic 120v/277v DIM -Dimming (consult factory)	FS -Fuse Holder and Fuse EMRM -Emergency Remote Ballast (90" MAX distance to ballast) EMENC -Remote Ballast Enclosure	8620-SG -Soft Glow Alzak Splay/ Flange RB -Regressed Baffle / Splay RW -Regressed White Splay CC -Custom Color	PG -Prismatic Glass Lens FG -Frosted Glass Lens GL -Glass Lens FL -Fresnel Glass Lens GS -Gasket WL -Wet Location	WM -Wall Mount (Ballast Mounted in Arm)	GW -Gloss White GB -Gloss Black MW -Matte White MB -Matte Black BZ -Bronze PT -Platinum Silver MT -Mini Tek Silver TW -Textured White CC -Custom Color	
SPC1216UDCF	(126)	(232)	EX	FS	8620 SG	PG	WM	GW	

Dimensions shown are nominal. Spectrum Lighting is continually improving products and reserves the right to make changes that will not alter performance or appearance with or without written notice.



PROJECT:

TYPE:

CAT. NO.:

