



# 12" SQUARE CYLINDER SERIES

## OPEN 12" SQUARE DIRECT/INDIRECT

### 2 x 42 WATT MAX

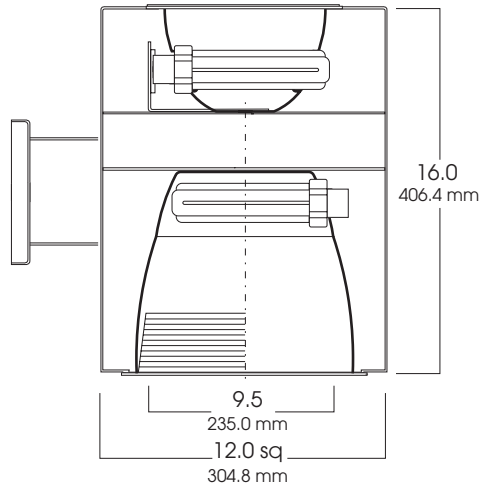


\*DAMP LOCATION ONLY

#### PRODUCT INFORMATION:

- 12" square cylinder series provides direct and indirect lighting.
- For use with compact fluorescent lamps.
- Heavy gauge extruded aluminum cylinder.
- 2 x 42 watt max compact fluorescent.
- 20 powder coat options.
- Suitable for damp locations.
- Consult factory for hang mount options.
- Manufactured and tested to UL standard No. 1598.

Fixture Weight: 18.0 lbs



SERIES	UP	DOWN	BALLAST	OPTIONS	TRIM / FINISH	MOUNTING	FINISH
<b>SPC1216SQUDCF-</b> Spectrum Direct/Indirect Square Compact Fluorescent Cylinder	(1 or 2) <b>(18)</b> (1 or 2) <b>(26)</b> (1 or 2) <b>(32)</b> (1 or 2) <b>(42)</b>	(1 or 2) <b>(18)</b> (1 or 2) <b>(26)</b> (1 or 2) <b>(32)</b> (1 or 2) <b>(42)</b>	<b>EX</b> -Electronic 120v/277v <b>DIM</b> -Dimming (consult factory)	<b>FS</b> -Fuse Holder and Fuse <b>EMRM</b> -Emergency Remote Ballast (90" MAX distance to ballast) <b>EMENC</b> -Remote Ballast Enclosure	<b>9510-SG</b> -Semi-Diffuse Low Iridescent <b>CC</b> -Custom Color <b>BB</b> -Black Micro Baffle <b>WB</b> -White Micro Baffle	<b>WM</b> -Wall Mount (Ballast Mounted in Arm) <b>CDx3</b> -3 Aircraft Cable & Cord	<b>GW</b> -Gloss White <b>GB</b> -Gloss Black <b>MW</b> -Matte White <b>MB</b> -Matte Black <b>BZ</b> -Bronze <b>PT</b> -Platinum Silver <b>MT</b> -Mini Tek Silver <b>TW</b> -Textured White <b>CC</b> -Custom Color
<b>SPC1216SQUDCF</b>	<b>(126)</b>	<b>(232)</b>	<b>EX</b>	<b>FS</b>	<b>9510 SG</b>	<b>WM</b>	<b>GW</b>

Dimensions shown are nominal. Spectrum Lighting is continually improving products and reserves the right to make changes that will not alter performance or appearance with or without written notice.



<b>PROJECT:</b>	<b>TYPE:</b>
<b>CAT. NO.:</b>	

