

12" CYLINDER SERIES OPEN/LENSED 12" ROUND PAR46/56-500 WATT MAX INC

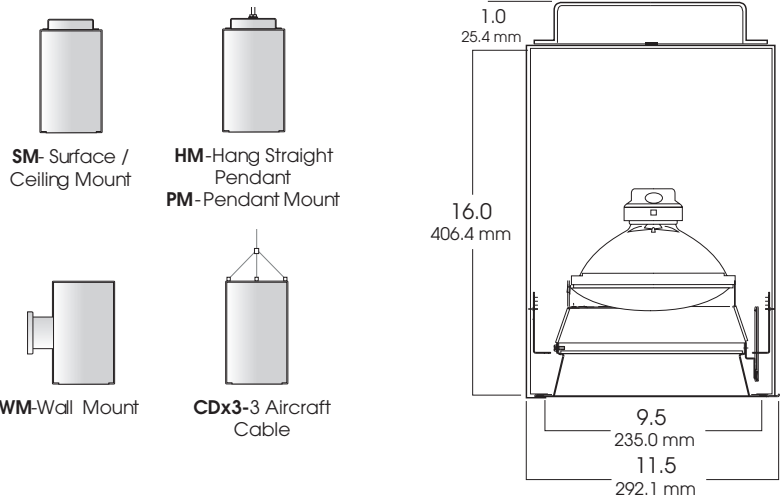
SPC12 SPECTRUM CYLINDERS



PRODUCT INFORMATION:

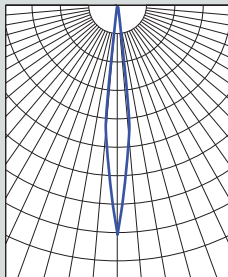
- 12" nominal diameter cylinder series for use with PAR46 or PAR56 lamps (specify).
- Welded aluminum cylinder.
- 500 watt max incandescent. (PAR 56)
- 20 powder coat options.
- Suitable for damp locations.
- Manufactured and tested to UL standard No. 1598.

MOUNTING



Fixture Weight: 18.0 lbs

DISTANCE FROM CEILING		DIAMETER OF CIRCLE
5.5	1019	2.0
7.5	548	3.0
9.5	342	4.0
11.5	233	5.0
13.5	169	6.0



CONE OF LIGHT

500w- Efficiency: 80.0%
Spacing: 0.20

SERIES	LAMP	REFLECTOR	MOUNTING	FINISH
SPC1216INC- Spectrum Incandescent Cylinder	PAR46 (side prong) PAR56 (rear prong)	9055-SG -Semi-Diffuse Low Iridescent (standard) MW -Matte White MB -Matte Black BB -Black Micro Baffle WB -White Micro Baffle VCL - Vycor™ Lens SCR -Stainless Steel Mesh Diffuser	HM* -Hang-Straight Mounting HMAT** -Field Cutable Length Hang Straight Pendant PM* -Pendant Mount SM -Surface Mount WM -Wall Mount CDx3 -3 Aircraft Cable & Cord * Specify Length in inches **12" or 36" lengths only See Cylinder Mounting Page for Additional Information	GW -Gloss White GB -Gloss Black MW -Matte White MB -Matte Black BZ -Bronze PT -Platinum Silver MT -Mini Tek Silver TW -Textured White CC -Custom Color
SPC1216INC	PAR56	9055 SG	HM36	GW

Dimensions shown are nominal. Spectrum Lighting is continually improving products and reserves the right to make changes that will not alter performance or appearance with or without written notice.



PROJECT:

TYPE:

CAT. NO.:

