

12" CYLINDER SERIES LENSED 12" ROUND 3 x 42 / 2 x 70 WATT MAX CF

SPC12
SPECTRUM
CYLINDERS

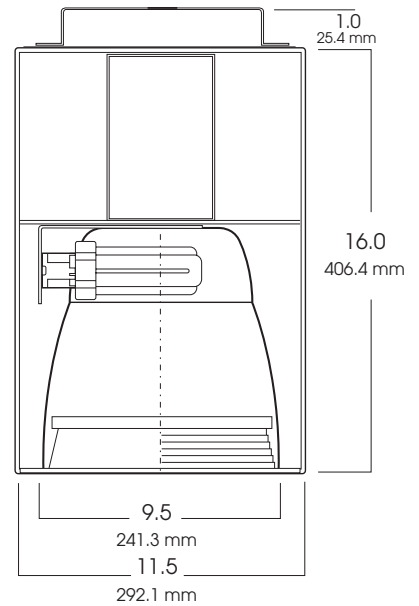
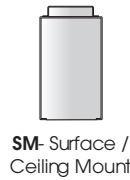


Fixture Weight: 28.0 lbs

PRODUCT INFORMATION:

- 12" cylinder series for use with compact fluorescent lamps.
- Welded aluminum cylinder.
- 3 x 42 or 2 x 70 watt max triple tube compact fluorescent lamp.
- 20 powder coat options.
- Suitable for damp locations.
- Manufactured and tested to UL standard No. 1598.

MOUNTING



SERIES	WATTS	BALLAST	OPTIONS	TRIM / SPLAY	LENS	MOUNTING	FINISH
SPC1216CF - Compact Fluorescent Spectrum Cylinder	(1 or 3) 13 (1 or 3) 18 (1 or 3) 26 (1 or 3) 32 (1 or 3) 42 (1 or 2) 57 (1 or 2) 70	EX -Electronic 120v / 277v (standard) DIM -Dimming (consult factory)	FS -Fuse holder and fuse EMIT -Emergency Integrity with Switch (specify voltage) EMENC -Remote Ballast Enclosure CP113 -Ceiling Surface Enclosure TP -Tamper Proof (PC underlay)	9520-SG -Soft Glow Alzak Splay/ Flange RB -Regressed Baffle / Splay CC -Custom Color *9520 -3 Lamps (ALL) *9527 -2 Lamps (57/70w) *9620 -1/2 Lamps (18-32w)	GL -Clear Tempered Glass Lens FG -Frosted Glass Lens FL -Fresnel Glass Lens PG -Prismatic Glass Lens WL -Wet Location	HM* -Hang-Straight Mounting HMAT** -Field Cutable Length Hang Straight Pendant PM* -Pendant Mount SM -Surface Mount WM -Wall Mount CDx3 -3 Aircraft Cable & Cord	GW -Gloss White GB -Gloss Black MW -Matte White MB -Matte Black BZ -Bronze PT -Platinum Silver MT -Mini Tek Silver TW -Textured White CC -Custom Color
SPC1216CF	226	EX	FS	9520 SG	GL	HM36	GW

Dimensions shown are nominal. Spectrum Lighting is continually improving products and reserves the right to make changes that will not alter performance or appearance with or without written notice.



PROJECT:

TYPE:

CAT. NO.:

