

12" CYLINDER SERIES LENSED 12" ROUND 1 x 70 WATT MAX CF

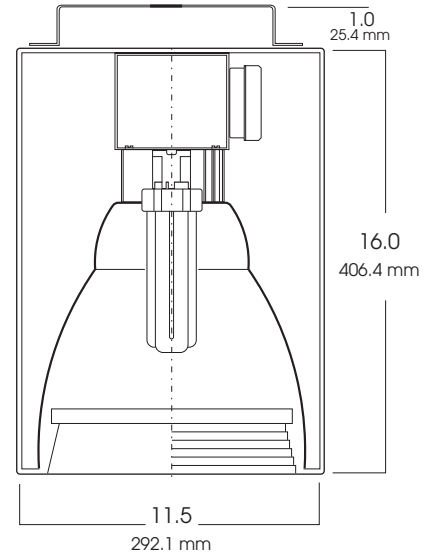
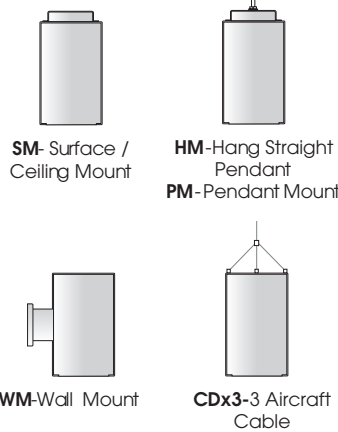
SPC12 SPECTRUM CYLINDERS



PRODUCT INFORMATION:

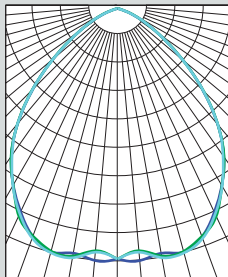
- 12" cylinder series for use with compact fluorescent lamps.
- Welded aluminum cylinder.
- 70 watt max triple tube compact fluorescent lamp.
- 20 powder coat options.
- Suitable for damp locations. Wet location available.
- Manufactured and tested to UL standard No. 1598.

MOUNTING



Fixture Weight: 12.5 lbs

DISTANCE FROM CEILING	30	11.0	DIAMETER OF CIRCLE
5.5	30	11.0	
7.5	16	15.0	
9.5	10	19.0	
11.5	7	23.0	
13.5	5	27.0	



CONE OF LIGHT

157w-Efficiency: 42.1%
Spacing: 1.22

SERIES	WATTS	BALLAST	OPTIONS	TRIM / SPLAY	LENS	MOUNTING	FINISH
SPC1216CF- Compact Fluorescent Spectrum Cylinder	13 18 26 32 42 57 70	EX -Electronic 120v / 277v (standard) DA1 -Advance Mark 10™ Powerline Dimming, 120v DA2 -Advance Mark 7™ Powerline Dimming, 277v DA7 -Advance Mark 7™ 0-10v dimming, 120v thru 277v	FS -Fuse holder and fuse EMIT -Emergency Integral Switch (specify voltage) EMENC -Remote Ballast Enclosure CP113 -Ceiling Surface Enclosure TP -Tamper Proof (PC underlay)	1020-SG -Soft Glow Alzak Splay/ Flange RB -Regressed Baffle / Splay CC -Custom Color	GL -Clear Tempered Glass Lens FG -Frosted Glass Lens FL -Fresnel Glass Lens PG -Prismatic Glass Lens WL -Wet Location	HM* -Hang-Straight Mounting HMAT** -Field Cutable Length Hang Straight Pendant PM* -Pendant Mount SM -Surface Mount WM -Wall Mount CDx3 -3 Aircraft Cable & Cord * Specify Length in inches **12" or 36" lengths only See Cylinder Mounting Page for Additional Information	GW -Gloss White GB -Gloss Black MW -Matte White MB -Matte Black BZ -Bronze PT -Platinum Silver MT -Mini Tek Silver TW -Textured White CC -Custom Color
SPC1216CF	70	EX	FS	1020 SG	GL	HM36	GW

Dimensions shown are nominal. Spectrum Lighting is continually improving products and reserves the right to make changes that will not alter performance or appearance with or without written notice.



PROJECT:

TYPE:

CAT. NO.:

