

12" CYLINDER SERIES OPEN 12" SQUARE 2 x 42 WATT MAX CF

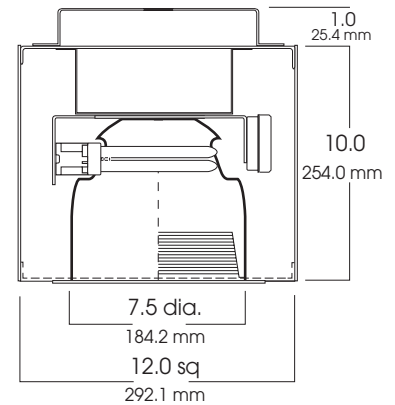
SPC12 SPECTRUM CYLINDERS



PRODUCT INFORMATION:

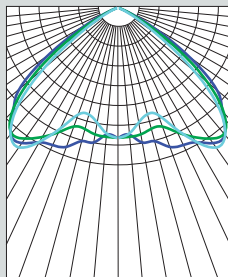
- 12" round cylinder series for use with compact fluorescent lamps.
- Welded aluminum square cylinder.
- 2 x 42 watt max triple tube compact fluorescent lamp.
- 20 powder coat options.
- Suitable for damp locations. Wet location available
- Manufactured and tested to UL standard No. 1598.

MOUNTING



Fixture Weight: 9.5 lbs

DISTANCE FROM CEILING	22	16.0	DIAMETER OF CIRCLE
5.5	22	16.0	
7.5	12	21.0	
9.5	7	27.0	
11.5	5	33.0	
13.5	4	39.0	



CONE OF LIGHT

142w-Efficiency: 66.0%
Spacing: 1.79

SERIES	WATTS	BALLAST	OPTIONS	REFLECTOR	MOUNTING	FINISH
SPC1210SQCF- Compact Fluorescent Square Spectrum Cylinder	(1 or 2) 13 (1 or 2) 18 (1 or 2) 26 (1 or 2) 32 (1 or 2) 42	EX -Electronic 120v / 277v (standard) DA1 -Advance Mark 10™ Powerline Dimming, 120v DA2 -Advance Mark 7™ Powerline Dimming, 277v DA7 -Advance Mark 7™ 0-10v dimming, 120v thru 277v	FS -Fuse holder and fuse EMIT -Emergency Integral with Switch (specify voltage) EMENC -Remote Ballast Enclosure CP113 -Ceiling Surface Enclosure	8510-SG -Soft Glow Alzak CC -Custom Color BB -Black Micro Baffle WB -White Micro Baffle * 8510 -for 2 lamp (13w-26w Q) * 8610 -for 2 lamp (26w T -42w) * 8615 -for 1 lamp (13w-42w) Q : Quad T : Triple Tube	HM* -Hang-Straight Mounting HMAT** -Field Cuttable Length Hang Straight Pendant PM* -Pendant Mount SM -Surface Mount WM -Wall Mount CDx3 -3 Aircraft Cable & Cord * Specify Length in inches **12" or 36" lengths only See Cylinder Mounting Page for Additional Information	GW -Gloss White GB -Gloss Black MW -Matte White MB -Matte Black BZ -Bronze PT -Platinum Silver MT -Mini Tek Silver TW -Textured White CC -Custom Color
SPC1210SQCF	226	EX	FS	8510 SG	HM36	GW

Dimensions shown are nominal. Spectrum Lighting is continually improving products and reserves the right to make changes that will not alter performance or appearance with or without written notice.



PROJECT:

TYPE:

CAT. NO.:

