

12" CYLINDER SERIES LENSED 12" ROUND 2 x 26 WATT MAX CF

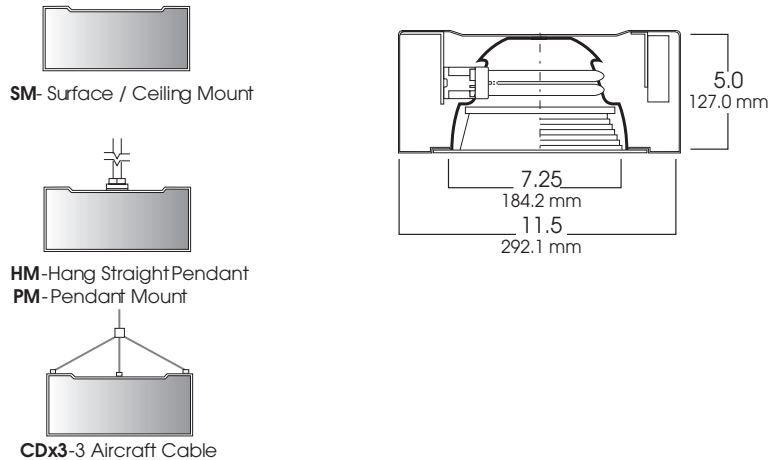
SPC12 SPECTRUM CYLINDERS



PRODUCT INFORMATION:

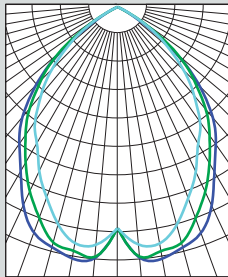
- 12" round shallow cylinder series for use with compact fluorescent lamps.
- Spun aluminum cylinder.
- 2 x 26 watt max triple tube compact fluorescent lamp.
- 20 powder coat options.
- Suitable for damp locations. Wet location available.
- Manufactured and tested to UL standard No. 1598.

MOUNTING



Fixture Weight: 7.5 lbs

DISTANCE FROM CEILING	26	11.0
5.5	26	11.0
7.5	14	15.0
9.5	9	19.0
11.5	6	23.0
13.5	4	27.0



CONE OF LIGHT

226w-Efficiency: 41.8%
Spacing: 1.27

SERIES	WATTS	BALLAST	OPTIONS	TRIM / SPLAY	LENS	MOUNTING	FINISH
SPC1205CF- Compact Fluorescent Shallow Spectrum Cylinder	(1 or 2) 13 (1 or 2) 18 (1 or 2) 26	EX -Electronic 120v / 277v (standard)	FS -Fuse holder and fuse TP -Tamper Proof (PC underlay) EMIT -Emergency Integral Switch (specify voltage) EMENC -Remote Ballast Enclosure CP113 -Ceiling Surface Enclosure	8320-SG -Soft Glow Alzak Splay/ Flange RB -Regressed Baffle / Splay CC -Custom Color * 8320 -for 2 lamp (13w-26w Q) * 8325 -for 1 lamp (13w-26w) Q : Quad T : Triple Tube	GL -Clear Tempered Glass Lens FG -Frosted Glass Lens FL -Fresnel Glass Lens PG -Prismatic Glass Lens SO -Micro Prism Solite™ Lens WL -Wet Location	HM* -Hang-Straight Mounting HMAT** -Field Cutable Length Hang Straight Pendant PM* -Pendant Mount SM -Surface Mount CDx3 -3 Aircraft Cable & Cord * Specify Length in inches **12" or 36" lengths only See Cylinder Mounting Page for Additional Information	GW -Gloss White GB -Gloss Black MW -Matte White MB -Matte Black BZ -Bronze PT -Platinum Silver MT -Mini Tek Silver TW -Textured White CC -Custom Color
SPC1205CF	226	EX	FS	8320 SG	GL	HM36	GW

Dimensions shown are nominal. Spectrum Lighting is continually improving products and reserves the right to make changes that will not alter performance or appearance with or without written notice.



PROJECT:

TYPE:

CAT. NO.:

