

12" CYLINDER SERIES OPEN 12" ROUND 2 x 42 WATT MAX CF

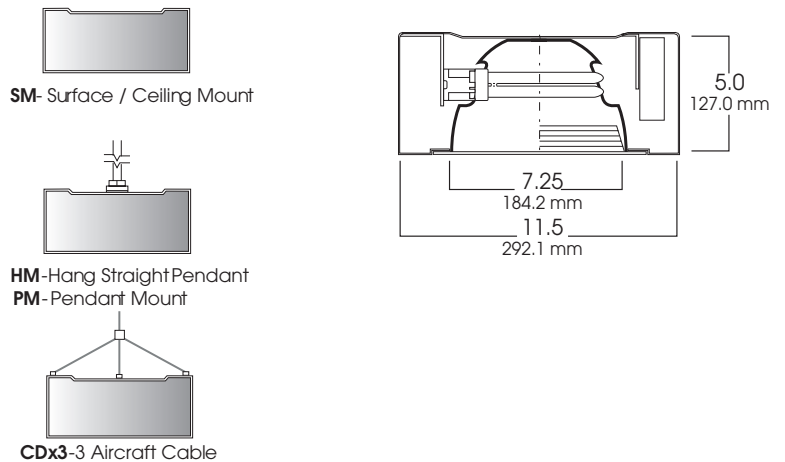
SPC12 SPECTRUM CYLINDERS



PRODUCT INFORMATION:

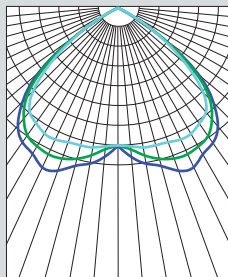
- 12" round shallow cylinder series for use with compact fluorescent lamps.
- Spun aluminum cylinder.
- 2 x 42 watt max triple tube compact fluorescent lamp.
- 20 powder coat options.
- Suitable for damp locations.
- Manufactured and tested to UL standard No. 1598.

MOUNTING



Fixture Weight: 7.5 lbs

DISTANCE FROM CEILING		DIAMETER OF CIRCLE
5.5	23	13.0
7.5	12	18.0
9.5	8	23.0
11.5	5	27.0
13.5	4	32.0



CONE OF LIGHT

226w-Efficiency: 55.4%
Spacing: 1.69

SERIES	WATTS	BALLAST	OPTIONS	REFLECTOR	MOUNTING	FINISH
SPC1205CF- Compact Fluorescent Shallow Spectrum Cylinder	(1 or 2) 13 (1 or 2) 18 (1 or 2) 26 (1 or 2) 32 (1 or 2) 42	EX -Electronic 120v / 277v (standard)	FS -Fuse holder and fuse EMIT -Emergency Integral Switch (specify voltage) EMENC -Remote Ballast Enclosure CP113 -Ceiling Surface Enclosure	8310-SG -Soft Glow Alzak CC -Custom Color BB -Black Micro Baffle WB -White Micro Baffle * 8300 -for 2 lamp (13w-26w Q) * 8310 -for 2 lamp (26w T-42w) * 8315 -for 1 lamp (13w-42w) Q : Quad T : Triple Tube	HM* -Hang-Straight Mounting HMAT** -Field Cutable Length Hang Straight Pendant PM* -Pendant Mount SM -Surface Mount CDx3 -3 Aircraft Cable & Cord * Specify Length in inches **12" or 36" lengths only See Cylinder Mounting Page for Additional Information	GW -Gloss White GB -Gloss Black MW -Matte White MB -Matte Black BZ -Bronze PT -Platinum Silver MT -Mini Tek Silver TW -Textured White CC -Custom Color
SPC1205CF	226	EX	FS	8310 SG	HM36	GW

Dimensions shown are nominal. Spectrum Lighting is continually improving products and reserves the right to make changes that will not alter performance or appearance with or without written notice.



PROJECT:	TYPE:
CAT. NO.:	

