

# 10" CYLINDER SERIES LENSED 10" ROUND 1 x 42 WATT MAX CF

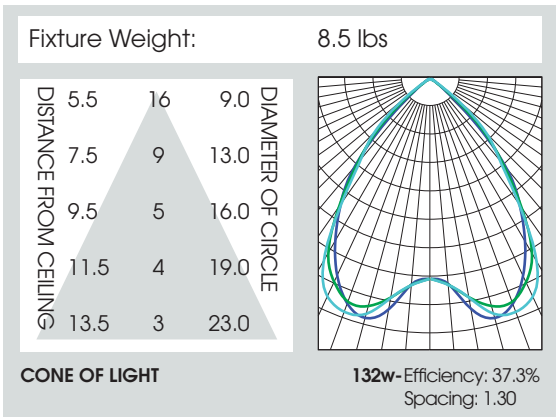
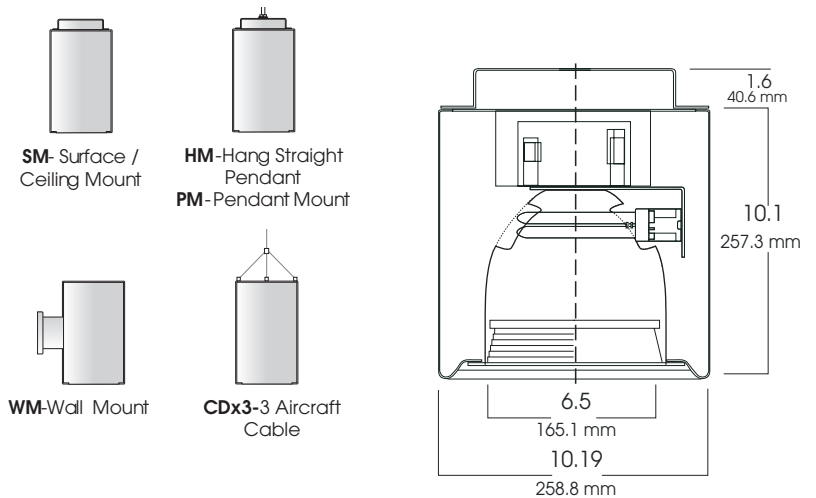
# SPC10 SPECTRUM CYLINDERS



## PRODUCT INFORMATION:

- 10" round cylinder series for use with compact fluorescent lamps.
- Spun aluminum cylinder.
- 1 x 42 watt max triple tube compact fluorescent lamp.
- 20 powder coat options.
- Suitable for damp locations.
- Manufactured and tested to UL standard No. 1598.

## MOUNTING



SERIES	WATTS	BALLAST	OPTIONS	TRIM / SPLAY	LENS	MOUNTING	FINISH
SPC1010CF- Compact Fluorescent Spectrum Cylinder	(1 or 2) <b>13</b> (1 or 2) <b>18</b> (1 or 2) <b>26</b> (1) <b>32</b> (1) <b>42</b>	<b>EX</b> -Electronic 120v / 277v (standard)	<b>FS</b> -Fuse holder and fuse <b>EMIT</b> -Emergency Integral with Switch (specify voltage) <b>EMENC</b> -Remote Ballast Enclosure <b>CP113</b> -Ceiling Surface Enclosure	<b>7520-SG</b> -Soft Glow Alzak Splay/ Flange <b>RB</b> -Regressed Baffle / Splay <b>CC</b> -Custom Color  * <b>7520</b> -for 2 lamp (13w-26w <b>Q</b> ) * <b>7620</b> -for 1 lamp (13w-26w)  <b>Q</b> : Quad <b>T</b> : Triple Tube	<b>GL</b> -Clear Tempered Glass Lens <b>FG</b> -Frosted Glass Lens <b>FL</b> -Fresnel Glass Lens <b>PG</b> -Prismatic Glass Lens <b>SO</b> -Micro Prism Solite™ Lens <b>WL</b> -Wet Location	<b>HM*</b> -Hang-Straight Mounting <b>HMAT**</b> -Field Cutable Length Hang Straight Pendant <b>PM*</b> -Pendant Mount <b>SM</b> -Surface Mount <b>WM</b> -Wall Mount <b>CDx3</b> -3 Aircraft Cable & Cord  * Specify Length in inches **12" or 36" lengths only  See Cylinder Mounting Page for Additional Information	<b>GW</b> -Gloss White <b>GB</b> -Gloss Black <b>MW</b> -Matte White <b>MB</b> -Matte Black <b>BZ</b> -Bronze <b>PT</b> -Platinum Silver <b>MT</b> -Mini Tek Silver <b>TW</b> -Textured White <b>CC</b> -Custom Color
<b>SPC1010CF</b>	<b>226</b>	<b>EX</b>	<b>FS</b>	<b>7520 SG</b>	<b>GL/WL</b>	<b>SM</b>	<b>GW</b>

Dimensions shown are nominal. Spectrum Lighting is continually improving products and reserves the right to make changes that will not alter performance or appearance with or without written notice.



<b>PROJECT:</b>	<b>TYPE:</b>
<b>CAT. NO.:</b>	

