

# 10" CYLINDER SERIES SQUARE CROSS BAFFLE 2 x 42 WATT MAX CF

**SPC10**  
SPECTRUM  
CYLINDERS



Fixture Weight: 7.2 lbs

## PRODUCT INFORMATION:

- 10" square cylinder series for use with compact fluorescent lamps.
- Welded aluminum cylinder.
- 2 x 42 watt max triple tube compact fluorescent lamp.
- 20 powder coat options.
- Suitable for damp locations.
- Manufactured and tested to UL standard No. 1598.

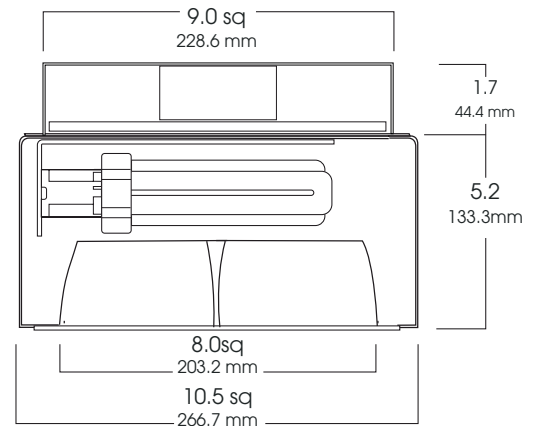
## MOUNTING



**SM**- Surface /  
Ceiling Mount



**HM**-Hang Straight  
Pendant  
**PM**-Pendant Mount



SERIES	WATTS	BALLAST	OPTIONS	REFLECTOR	MOUNTING	FINISH
SPC1005SQCF- Compact Fluorescent Square Spectrum Cylinder	(2) 26 (2) 32 (2) 42	<b>EX</b> -Electronic 120v / 277v (standard) <b>DA1</b> -Advance Mark 10™ Powerline Dimming, 120v <b>DA2</b> -Advance Mark 10™ Powerline Dimming, 277v <b>DA7</b> -Advance Mark 7™ 0-10v Dimming, 120v thru 277v	<b>FS</b> -Fuse holder and fuse	<b>0808XB-SG</b> -Soft Glow Alzak <b>MW</b> -Matte White <b>CC</b> -Custom Color	<b>SM</b> -Surface Mount <b>PM</b> -Pendant Mount <b>HM</b> -Hang-Straight Mount	<b>GW</b> -Gloss White <b>GB</b> -Gloss Black <b>MW</b> -Matte White <b>MB</b> -Matte Black <b>BZ</b> -Bronze <b>PT</b> -Platinum Silver <b>MT</b> -Mini Tek Silver <b>TW</b> -Textured White <b>CC</b> -Custom Color
<b>SPC1005SQCF</b>	<b>232</b>	<b>EX</b>	<b>FS</b>	<b>0808XB SG</b>	<b>SM</b>	<b>GW</b>

Dimensions shown are nominal. Spectrum Lighting is continually improving products and reserves the right to make changes that will not alter performance or appearance with or without written notice.



PROJECT:

TYPE:

CAT. NO.:

