

10" CYLINDER SERIES SQUARE CROSS BAFFLE 2 x 42 WATT MAX CF

SPC10 SPECTRUM CYLINDERS



PRODUCT INFORMATION:

- 10" square cylinder series for use with compact fluorescent lamps.
- Welded aluminum cylinder.
- 2 x 42 watt max triple tube compact fluorescent lamp.
- 20 powder coat options.
- Suitable for damp locations.
- Manufactured and tested to UL standard No. 1598.

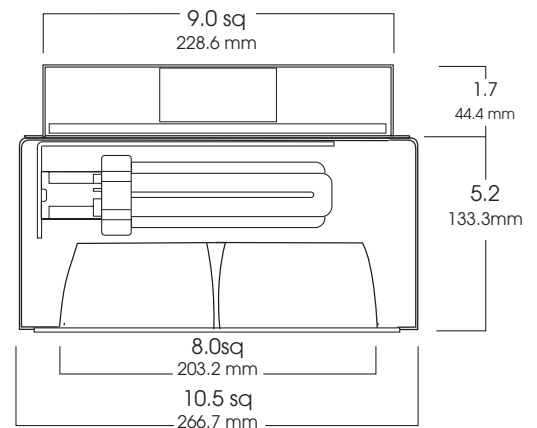
MOUNTING



SM- Surface /
Ceiling Mount

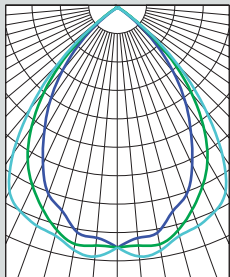


HM-Hang Straight
Pendant
PM-Pendant Mount



Fixture Weight: 7.2 lbs

DISTANCE FROM CEILING		DIAMETER OF CIRCLE
5.5	48	8.0
7.5	26	11.0
9.5	16	13.0
11.5	11	16.0
13.5	8	19.0



CONE OF LIGHT

2x42w-Efficiency: 33.7%
Spacing: 1.00

SERIES	WATTS	BALLAST	OPTIONS	REFLECTOR	MOUNTING	FINISH
SPC1005SQCF- Spectrum Compact Fluorescent Square Cylinder	(2) 26 (2) 32 (2) 42	EX -Electronic 120v / 277v (standard) DA1 -Advance Mark 10™ Powerline Dimming, 120v DA2 -Advance Mark 10™ Powerline Dimming, 277v DA7 -Advance Mark 7™ 0-10v Dimming, 120v thru 277v	FS -Fuse holder and fuse	0808XB-SG -Soft Glow Alzak MW -Matte White CC -Custom Color	SM -Surface Mount PM -Pendant Mount HM -Hang-Straight Mount	GW -Gloss White GB -Gloss Black MW -Matte White MB -Matte Black BZ -Bronze PT -Platinum Silver MT -Mini Tek Silver TW -Textured White CC -Custom Color
SPC1005SQCF	232	EX	FS	0808XB SG	SM	GW

Dimensions shown are nominal. Spectrum Lighting is continually improving products and reserves the right to make changes that will not alter performance or appearance with or without written notice.



PROJECT:

TYPE:

CAT. NO.:

