

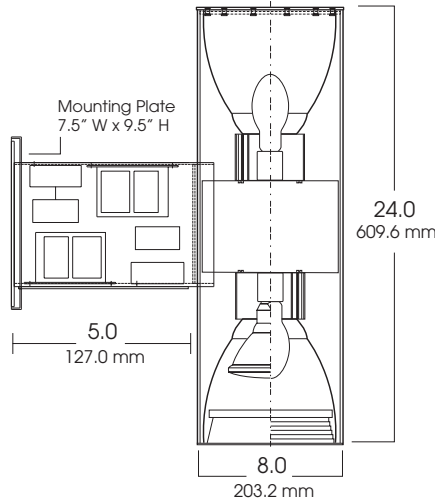
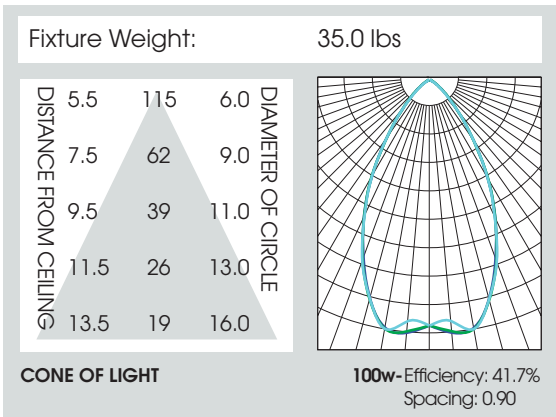
**8" CYLINDER SERIES**  
**LENSED 8" DIRECT / INDIRECT**  
**PAR/ED-100 WATT MAX MH**  
 \*WET LOCATION OPTION

**SPC08**  
**SPECTRUM**  
**CYLINDERS**



**PRODUCT INFORMATION:**

- 8" cylinder series provides direct and indirect lighting for use with two metal halide lamps.
- Extruded aluminum cylinder.
- PAR or ED17 lamps. 100 watt max.
- 20 powder coat options.
- Suitable for damp locations. Wet location available.
- Manufactured and tested to UL standard No. 1598.



SERIES	UP	DOWN	BALLAST	OPTIONS	TRIM	SPLAY	LENSES	MOUNTING	FINISH
<b>SPC0824UDMH-</b> Spectrum Direct/ Indirect Metal Halide Cylinder	<b>(39)*</b> <b>(50)*</b> <b>(70)*</b> <b>(100)</b>	<b>(39)*</b> <b>(50)*</b> <b>(70)*</b> <b>(100)</b>	<b>*E1</b> -Electronic 120v <b>*E2</b> -Electronic 277v <b>H1</b> -Magnetic ballast, 120v <b>H2</b> -Magnetic ballast, 277v	<b>FS</b> -Fuse Holder and Fuse <b>QRS</b> -Quartz Re- Strike* <b>QEM</b> -Quartz Emergency Circuit  *Specify Voltage 120v or 277v	<b>8225-SG</b>	<b>-Semi-Diffuse</b> Low Iridescent <b>RB</b> -Regressed Baffle / Splay	<b>PG</b> -Prismatic Glass Lens <b>FG</b> -Frosted Glass Lens <b>GL</b> -Glass Lens <b>FL</b> -Fresnel Glass Lens <b>WL</b> -Wet Location	<b>WM</b> -Wall Mount (Ballast Mounted in Arm)	<b>GW</b> -Gloss White <b>GB</b> -Gloss Black <b>MW</b> -Matte White <b>MB</b> -Matte Black <b>BZ</b> -Bronze <b>PT</b> -Platinum Silver <b>MT</b> -Mini Tek Silver <b>TW</b> -Textured White <b>CC</b> -Custom Color
<b>SPC0824UDMH</b>	<b>(39)</b>	<b>(70)</b>	<b>E1</b>	<b>FS</b>	<b>8225</b>	<b>SG</b>	<b>PG</b>	<b>WM</b>	<b>GW</b>

Dimensions shown are nominal. Spectrum Lighting is continually improving products and reserves the right to make changes that will not alter performance or appearance with or without written notice.



<b>PROJECT:</b>	<b>TYPE:</b>
<b>CAT. NO.:</b>	

