

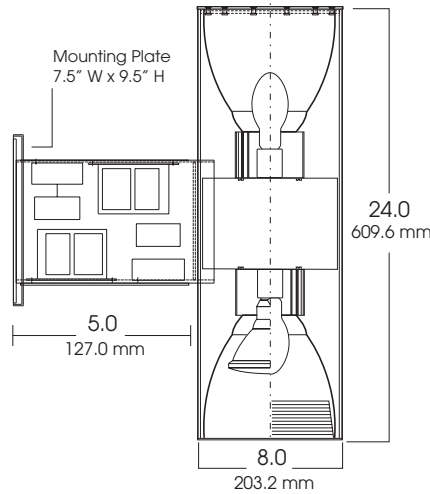
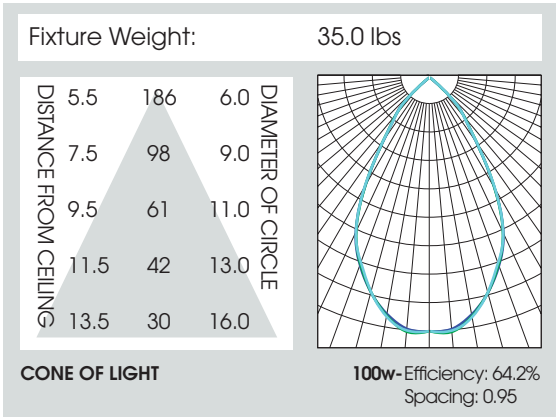
8" CYLINDER SERIES
OPEN 8" DIRECT / INDIRECT
PAR/ED-100 WATT MAX MH
 *DAMP LOCATION ONLY

SPC08
SPECTRUM
CYLINDERS



PRODUCT INFORMATION:

- 8" cylinder series provides direct and indirect lighting for use with two metal halide lamps.
- Extruded aluminum cylinder.
- PAR or ED17 lamps. 100 watt max.
- 20 powder coat options.
- Suitable for damp locations.
- Manufactured and tested to UL standard No. 1598.



SERIES	UP	DOWN	BALLAST	OPTIONS	TRIM / FINISH	MOUNTING	FINISH
SPC0824UDMH- Spectrum Direct/ Indirect Metal Halide Cylinder	(39)* (50)* (70)* (100)	(39)* (50)* (70)* (100)	*E1 -Electronic 120v *E2 -Electronic 277v H1 -Magnetic ballast, 120v H2 -Magnetic ballast, 277v	FS -Fuse Holder and Fuse QRS -Quartz Re-Strike* QEM -Quartz Emergency Circuit *Specify Voltage 120v or 277v	8215-SG -Semi-Diffuse Low Iridescent CC -Custom Color BB -Black Micro Baffle WB -White Micro Baffle	WM -Wall Mount (Ballast Mounted in Arm, Fixture Mounts 5" off Wall) CDx3 -3 Aircraft Cable & Cord	GW -Gloss White GB -Gloss Black MW -Matte White MB -Matte Black BZ -Bronze PT -Platinum Silver MT -Mini Tek Silver -Textured TW -White CC -Custom Color
SPC0824UDMH	(39)	(70)	E1	FS	8215 SG	WM	GW

Dimensions shown are nominal. Spectrum Lighting is continually improving products and reserves the right to make changes that will not alter performance or appearance with or without written notice.



PROJECT: _____ **TYPE:** _____

CAT. NO.: _____

