



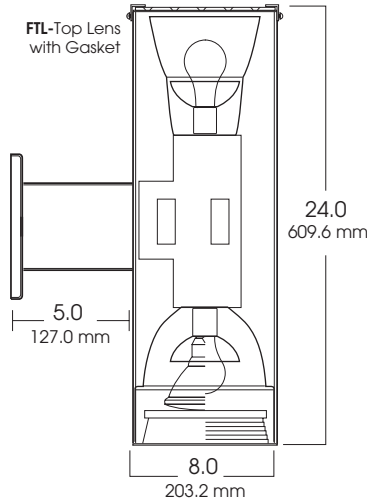
**8" CYLINDER SERIES**  
**LENSED 8" ROUND-DIRECT / INDIRECT**  
**A/PAR/R-100 WATT MAX INC**  
 \*WET LOCATION OPTION

**SPC08**  
**SPECTRUM**  
**CYLINDERS**

**PRODUCT INFORMATION:**

- 8" cylinder series provides direct and indirect lighting for use with incandescent lamps.
- Heavy gauge extruded aluminum cylinder.
- 100 watt max incandescent.
- 20 powder coat options.
- Suitable for damp locations. Wet location available.
- 120 Volt standard.
- Manufactured and tested to UL standard No. 1598.

Fixture Weight: 24.0 lbs



SERIES	LAMP	OPTIONS	TRIM SPLAY	LENSES	MOUNTING	FINISH
SPC0824UDIN- Spectrum Direct/Indirect Incandescent Cylinder	A 19 A 21 PAR 30 PAR 38 R 30	FS -Fuse Holder and Fuse	8225-SG -Semi-Diffuse Low Iridescent RB -Regressed Baffle / Splay	PG -Prismatic Glass Lens FG -Frosted Glass Lens GL -Glass Lens FL -Fresnel Glass Lens GS -Gasket WL -Wet Location	WM -Wall Mount ( Fixture Mounts 5" off Wall)	GW -Gloss White GB -Gloss Black MW -Matte White MB -Matte Black BZ -Bronze PT -Platinum Silver MT -Mini Tek Silver TW -Textured White CC -Custom Color
<b>SPC0824UDIN</b>	<b>A21</b>	<b>FS</b>	<b>8225 SG</b>	<b>PG</b>	<b>WM</b>	<b>GW</b>

Dimensions shown are nominal. Spectrum Lighting is continually improving products and reserves the right to make changes that will not alter performance or appearance with or without written notice.



<b>PROJECT:</b>	<b>TYPE:</b>
<b>CAT. NO.:</b>	

