



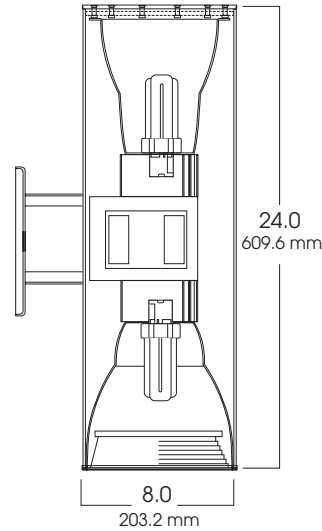
8" CYLINDER SERIES
LENSED 8" ROUND DIRECT/INDIRECT
 42 WATT MAX CF
 *WET LOCATION OPTION

SPC08
SPECTRUM
CYLINDERS

PRODUCT INFORMATION:

- 8" cylinder series provides direct and indirect lighting.
- For use with compact fluorescent lamps.
- Top lens gasketed.
- Heavy gauge extruded aluminum cylinder.
- 42 watt max compact fluorescent.
- 20 powder coat options.
- Suitable for damp locations. Wet location available.
- Consult factory for hang mount options.
- Manufactured and tested to UL standard No. 1598.

Fixture Weight: 25.0 lbs



| SERIES | UP | DOWN | BALLAST | OPTIONS | TRIM | SPLAY | LENSES | MOUNTING | FINISH |
|---|------------------------------|------------------------------|-----------------------------|---|-------------|--|--|--|---|
| SPC0824UDCF- Spectrum Direct/ Indirect Compact Fluorescent Cylinder | (18) (26) (32) (42) | (18) (26) (32) (42) | EX -Electronic 120v/277v | FS -Fuse Holder and Fuse EMRM -Emergency Remote Ballast (36" MAX distance to ballast) EMENC -Remote Ballast Enclosure | 8225-SG | -Soft Glow Alzak Splay/ Flange RB -Regressed Baffle / Splay RW -Regressed White Splay CC -Custom Color | PG -Prismatic Glass Lens FG -Frosted Glass Lens GL -Glass Lens FL -Fresnel Glass Lens WL -Wet Location | WM -Wall Mount (Ballast Mounted in Arm) | GW -Gloss White GB -Gloss Black MW -Matte White MB -Matte Black BZ -Bronze PT -Platinum Silver MT -Mini Tek Silver TW -Textured White CC -Custom Color |
| SPC0824UDCF | (18) | (32) | EX | FS | 8225 | SG | PG | WM | GW |

Dimensions shown are nominal. Spectrum Lighting is continually improving products and reserves the right to make changes that will not alter performance or appearance with or without written notice.



| | |
|------------------|--------------|
| PROJECT: | TYPE: |
| CAT. NO.: | |

