

8" CYLINDER SERIES LENSED 8" ROUND

SPC08 SPECTRUM CYLINDERS

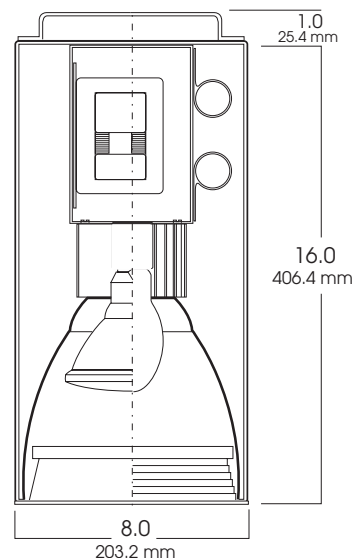
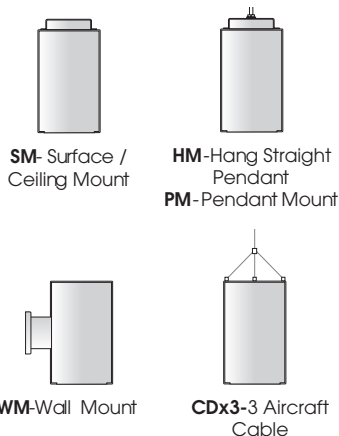
PAR 30/38 / ED17-100 WATT MAX MH



PRODUCT INFORMATION:

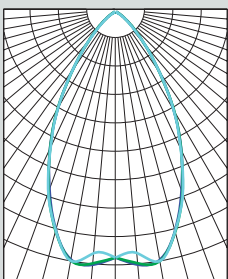
- 8" diameter cylinder series for use with metal halide or high pressure sodium lamps.
- Extruded aluminum cylinder.
- PAR or ED17 lamps. (70 watt max electronic / 100 watt max magnetic).
- 20 color options.
- Canopy/wiring compartments at top of cylinder for surface and pendant mounting.
- Suitable for damp location. Wet location available.
- Manufactured and tested to UL standard No. 1598.

MOUNTING



Fixture Weight: 9.5 lbs

DISTANCE FROM CEILING	DIAMETER OF CIRCLE
5.5	115
7.5	62
9.5	39
11.5	26
13.5	19
6.0	9.0
	11.0
	13.0
	16.0



CONE OF LIGHT

100w-Efficiency: 41.7%
Spacing: 0.90

SERIES	WATTS	BALLAST	LAMP	OPTIONS	TRIM	SPLAY	LENS	MOUNTING	FINISH
SPC0816MH- Spectrum Metal Halide Cylinder	39 50 70 100*	E1 -Electronic, 120v E2 -Electronic, 277v *H1 -Magnetic ballast, 120v *H2 -Magnetic ballast, 277v	ED17 PAR30 PAR38	FS -Fuse holder and fuse -Quartz Re-Strike* QEM -Quartz Emergency Circuit *Specify Voltage 120v or 277v	8225-SG	-Semi- Diffuse Low Iridescant RB -Regressed Baffle / Splay	GL -Clear Tempered Glass Lens FG -Frosted Glass Lens PG -Prismatic Glass Lens FL -Fresnel Glass Lens SO -Micro Prism Solite™ Lens WL -Wet Location	HM* -Hang-Straight Mounting HMAT** -Field Cutable Length Hang Straight Pendant PM* -Pendant Mount SM -Surface Mount WM -Wall Mount CDx3 -3 Aircraft Cable & Cord * Specify Length in inches **12" or 36" lengths only See Cylinder Mounting Page for Additional Information	-Gloss White -Gloss Black -Matte White -Matte Black -Bronze -Platinum Silver -Mini Tek Silver -Textured White -Custom Color
SPC0816MH	70	E1	ED17	FS	8225	SG	GL	HM36	GW

Dimensions shown are nominal. Spectrum Lighting is continually improving products and reserves the right to make changes that will not alter performance or appearance with or without written notice.



PROJECT:	TYPE:
CAT. NO.:	

