



Fixture Weight: 9.5 lbs

8" CYLINDER SERIES

CROSS BLADE 8" ROUND

PAR 30/38 / ED17-100 WATT MAX MH

SPC08

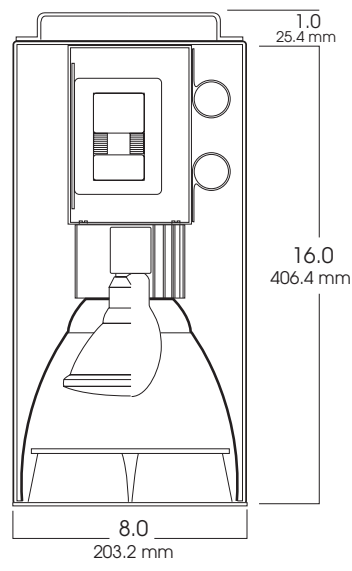
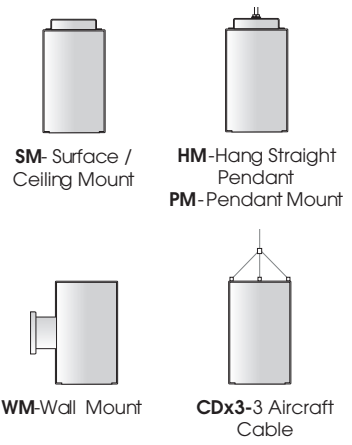
SPECTRUM

CYLINDERS

PRODUCT INFORMATION:

- 8" diameter cylinder series for use with metal halide or high pressure sodium lamps.
- Extruded aluminum cylinder.
- PAR or ED17 lamps. (70 watt max electronic / 100 watt max magnetic).
- 20 color options.
- Canopy/wiring compartments at top of cylinder for surface and pendant mounting.
- Suitable for damp location. Wet location available.
- Manufactured and tested to UL standard No. 1598.

MOUNTING



SERIES	WATTS	BALLAST	LAMP	OPTIONS	REFLECTOR	MOUNTING	FINISH
SPC0816MH- Spectrum Metal Halide Cylinder	39 50 70 100*	E1 -Electronic, 120v E2 -Electronic, 277v *H1 -Magnetic ballast, 120v *H2 -Magnetic ballast, 277v	ED17 PAR30 PAR38	FS -Fuse holder and fuse QRS -Quartz Re-Strike* QEM -Quartz Emergency Circuit WL -Wet Location *Specify Voltage 120v or 277v	8150-SGXBGL -Soft Glow Alzak, Cross Blade w/ Clear Glass Lens SGXB50 -Soft Glow Alzak, Cross Blade w/ Micro Prism Solite™ Lens CCXB -Custom Color	HM* -Hang-Straight Mounting HMAT** -Field Cutable Length Hang Straight Pendant PM* -Pendant Mount SM -Surface Mount WM -Wall Mount CDx3 -3 Aircraft Cable & Cord * Specify Length in inches **12" or 36" lengths only See Cylinder Mounting Page for Additional Information	GW -Gloss White GB -Gloss Black MW -Matte White MB -Matte Black BZ -Bronze PT -Platinum Silver MT -Mini Tek Silver TW -Textured White CC -Custom Color
SPC0816MH	70	E1	ED17	FS	8150 SGXBGL	HM36	GW

Dimensions shown are nominal. Spectrum Lighting is continually improving products and reserves the right to make changes that will not alter performance or appearance with or without written notice.



PROJECT:	TYPE:
CAT. NO.:	

