

8" CYLINDER SERIES OPEN 8" ROUND 1 x 42 WATT MAX CF

SPC08 SPECTRUM CYLINDERS



PRODUCT INFORMATION:

- 8" round cylinder series for use with compact fluorescent lamps.
- Extruded aluminum cylinder.
- 42 watt max triple tube compact fluorescent lamp.
- 20 powder coat options.
- Suitable for damp locations.
- Manufactured and tested to UL standard No. 1598.

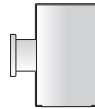
MOUNTING



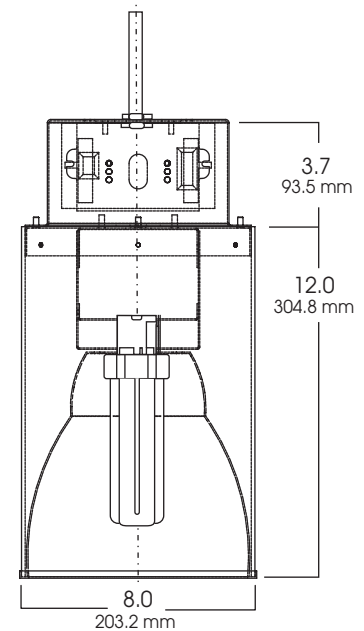
SM- Surface / Ceiling Mount



HM-Hang Straight
PM-Pendant Mount

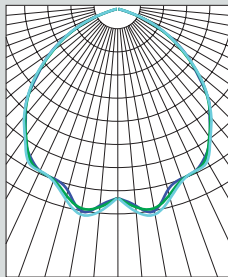


WM-Wall Mount



Fixture Weight: 7.5 lbs

DISTANCE FROM CEILING	27	13.0
5.5	15	18.0
7.5	9	23.0
9.5	6	27.0
11.5	5	32.0
13.5		



CONE OF LIGHT

42w-Efficiency: 66.2%
Spacing: 1.31

SERIES	WATTS	BALLAST	OPTIONS	REFLECTOR	TRIM	OPTION	MOUNTING	FINISH
SPC0815CF - Compact Fluorescent Spectrum Cylinder	13 18 26 32 42	EX -Electronic 120v / 277v (standard) DA1 -Advance Mark 10™ Powerline Dimming, 120v DA2 -Advance Mark 10™ Powerline Dimming, 277v DL1 -Lutron Compact SE™, 120v (min. dimming level 5%) DL2 -Lutron Compact SE™, 277v (min. dimming level 5%)	FS -Fuse holder and fuse EMRM -Emergency Remote Ballast (90" MAX distance to ballast) EMENC -Remote Ballast Enclosure CP113 -Ceiling Surface Enclosure	8115-SG -Soft Glow Alzak CC -Custom Color BB -Black Micro Baffle WB -White Micro Baffle	GS -Gasket	HM* -Hang-Straight Mounting HMAT** -Field Cutable Length Hang Straight Pendant PM* -Pendant Mount SM -Surface Mount WM -Wall Mount	GW -Gloss White GB -Gloss Black MW -Matte White MB -Matte Black BZ -Bronze PT -Platinum Silver MT -Mini Tek Silver TW -Textured White CC -Custom Color	
SPC0815CF	42	DL2	FS	8115 SG	GS	SM	MW	

Dimensions shown are nominal. Spectrum Lighting is continually improving products and reserves the right to make changes that will not alter performance or appearance with or without written notice.



PROJECT:

TYPE:

CAT. NO.:

