

INFINIUM™ LED SERIES OPEN 8" ROUND CYLINDER 80 WATT MAX LED

SPC08 SPECTRUM CYLINDERS

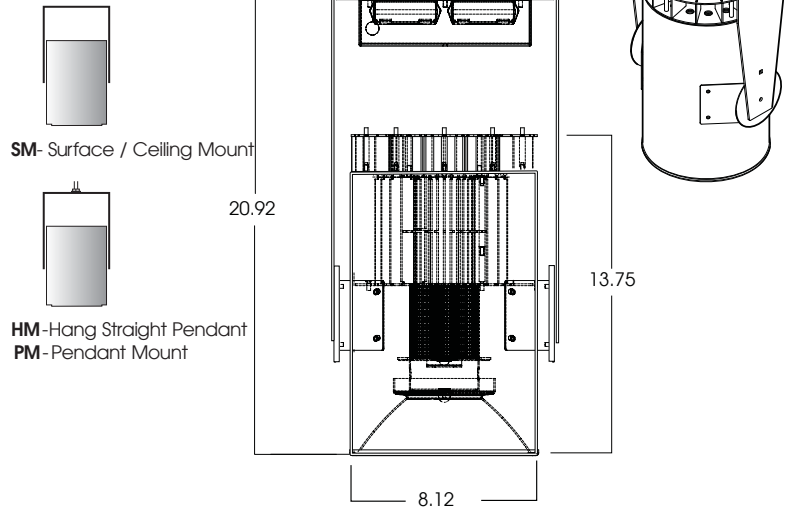


Fixture Weight: 16.0 lbs

PRODUCT INFORMATION:

- 8" round Infinium™ high output LED cylinder.
- Fixture can be tilted and locked for aiming.
- 50,000 hours rated LED system life means low maintenance.
- High flux density LED.
- 5 Distinct Kelvin temperatures, 3 beam spreads.
- All LED modules are replaceable and upgradeable.
- 2-Wire, and Lutron dimming available.
- Many powdercoat options.
- Suitable for damp locations.
- Manufactured and tested to UL standard No. 8750.

MOUNTING



KELVIN°	WATTAGE	LUMENS
31K°	70W	2850
	60W	2600
41K°	70W	3800
	60W	3300
51K°	70W	4550
	60W	3850

SERIES	LED	KELVIN BEAM	DRIVER	OPTIONS	TRIM / FINISH	MOUNTING	FINISH	
SPC0812LED- Spectrum High Wattage LED Cylinder	60w	27K -2700° - Kelvin	ND E1 -Electronic, 120V E2 -Electronic, 277V	FS -Fuse Holder and Fuse	AR8454 SG -Semi- Diffuse Low Iridescent clear	PM* -Pendant Mount Driver in Canopy at ceiling SM -Surface Mount WM -Wall Mount	GW -Gloss White GB -Gloss Black MW -Matte White MB -Matte Black BZ -Bronze PT -Platinum Silver MT -Mini Tek Silver TW -Textured White CC -Custom Color	
	70w	31K -3100° Kelvin	MD DS101 -Spectrum 2 Wire Phase Dimming 120v					
	80w	35K -3500° Kelvin	WD DS102 -Spectrum 0-10V Dimming 120v					
		41K -4100° Kelvin	DLTE1 -Lutron 2 Wire Phase Dimming 120v Only				* Specify Length in inches **12" or 36" lengths only See Cylinder Mounting Page for Additional Information	
		51K -5100° Kelvin	DL3EX -Lutron 3 Wire Dimming 120v/277v DL3CX -Lutron ECO System Dimming 120v/277v					
SPC0812YKLED	80W	51K	ND	DS102	FS	AR8454 SG	PM	GW

Dimensions shown are nominal. Spectrum Lighting is continually improving products and reserves the right to make changes that will not alter performance or appearance with or without written notice.



PROJECT:	TYPE:
CAT.	

