

8" SQUARE CYLINDER SERIES OPEN 8" SQUARE A/PAR-150 WATT MAX INC

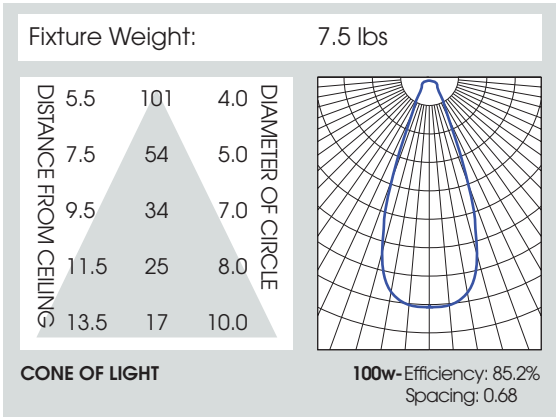
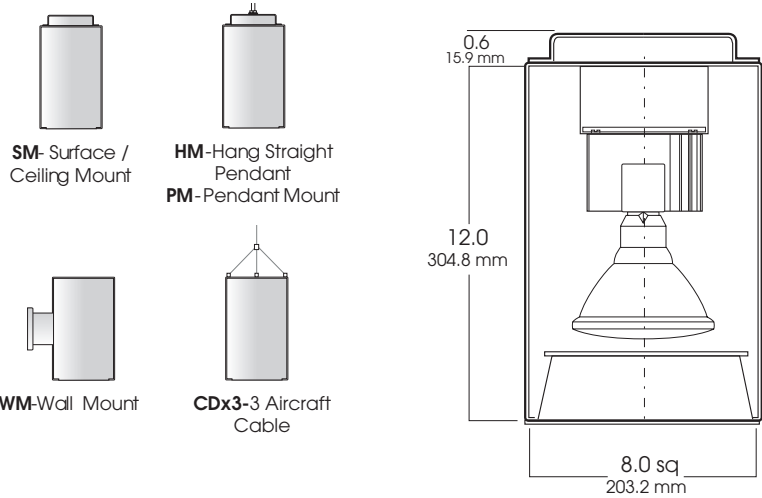
SPC08
SPECTRUM
CYLINDERS



PRODUCT INFORMATION:

- 8" square cylinder series for use with incandescent lamps.
- Heavy gauge extruded aluminum square cylinder.
- 150 watt max incandescent.
- 20 powder coat options.
- Suitable for damp locations.
- 120 Volt standard.
- Manufactured and tested to UL standard No. 1598.

MOUNTING



SERIES	LAMP	REFLECTOR	MOUNTING	FINISH
SPC0812SQINC- Spectrum Square Incandescent Cylinder	A 19 A 21 A23 PAR30 PAR38 R30 R 40	0308-SG -Semi-Diffuse Low Iridescent MW -Matte White MB -Matte Black NT -No Trim Open Interior	HM* -Hang-Straight Mounting HMAT** -Field Cutable Length Hang Straight Pendant PM* -Pendant Mount SM -Surface Mount WM -Wall Mount CDx3 -3 Aircraft Cable & Cord * Specify Length in inches **12" or 36" lengths only See Cylinder Mounting Page for Additional Information	GW -Gloss White GB -Gloss Black MW -Matte White MB -Matte Black BZ -Bronze PT -Platinum Silver MT -Mini Tek Silver TW -Textured White CC -Custom Color
SPC0812SQINC	PAR38	0308 SG	HM36	GW

Dimensions shown are nominal. Spectrum Lighting is continually improving products and reserves the right to make changes that will not alter performance or appearance with or without written notice.



PROJECT:	TYPE:
CAT. NO.:	

