

# 8" SQUARE CYLINDER SERIES

## OPEN 8" SQUARE

### 1 x 42 WATT MAX CF

**SPC08**  
SPECTRUM  
CYLINDERS

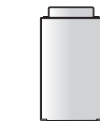


Fixture Weight: 8.5 lbs

#### PRODUCT INFORMATION:

- 8" square cylinder series for use with compact fluorescent lamps.
- Heavy gauge extruded aluminum square cylinder.
- 42 watt max triple tube compact fluorescent lamp.
- 20 powder coat options.
- Suitable for damp locations.
- Manufactured and tested to UL standard No. 1598.

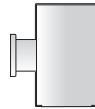
#### MOUNTING



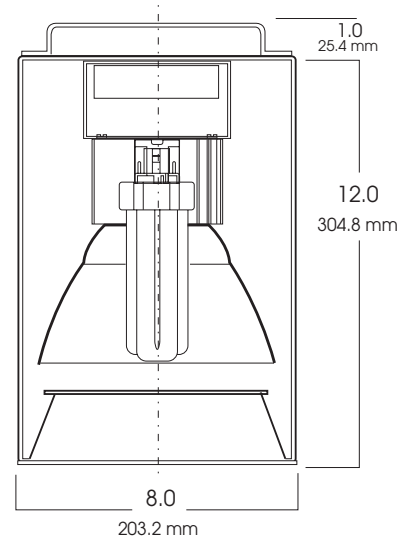
SM - Surface / Ceiling Mount



HM - Hang Straight  
PM - Pendant Mount



WM - Wall Mount



SERIES	WATTS	BALLAST	OPTIONS	REFLECTOR	TRIM	OPTIONS	MOUNTING	FINISH
SPC0812SQCF- Compact Fluorescent Spectrum Square Cylinder	13 18 26 32 42	EX -Electronic 120v / 277v (standard)  Consult Factory for Dimming Options	FS -Fuse holder and fuse EMRM -Emergency Remote Ballast (90" MAX distance to ballast) EMENC -Remote Ballast Enclosure CP113 -Ceiling Surface Enclosure	0308-SG -Soft Glow Alzak (standard) MW -Matte White MB -Matte Black  NT -No Trim, Open Interior Color of Cylinder	GL -Clear Tempered Glass Lens PG -Prismatic Glass Lens  WL -Wet Location	HM* -Hang-Straight Mounting HMAT** -Field Cutable Length Hang Straight Pendant PM* -Pendant Mount SM -Surface Mount WM -Wall Mount  * Specify Length in inches **12" or 36" lengths only  See Cylinder Mounting Page for Additional Information	GW -Gloss White GB -Gloss Black MW -Matte White MB -Matte Black BZ -Bronze PT -Platinum Silver MT -Mini Tek Silver TW -Textured White CC -Custom Color	
<b>SPC0812SQCF</b>	<b>42</b>	<b>EX</b>	<b>FS</b>	<b>0308 SG</b>	<b>GS</b>	<b>HM36</b>	<b>GW</b>	

Dimensions shown are nominal. Spectrum Lighting is continually improving products and reserves the right to make changes that will not alter performance or appearance with or without written notice.



PROJECT:

TYPE:

CAT. NO.:

