

8" CYLINDER SERIES LENSED 8" ROUND QUARTZ 500 (QT4-MINI CAN) WATT MAX INC

SPC08
SPECTRUM
CYLINDERS



PRODUCT INFORMATION:

- 8" diameter cylinder series for use with Quartz Mini Can lamps.
- Solid drawn aluminum cylinder, with die cast heat sink.
- 500 watt max incandescent, with narrow (12D), medium (22D) and wide (38D) distribution.
- 20 powder coat options, Vycor™ safety lens standard.
- Unique easy-install wall bracket.
- Suitable for damp locations.
- Manufactured and tested to UL standard No. 1598.

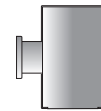
MOUNTING



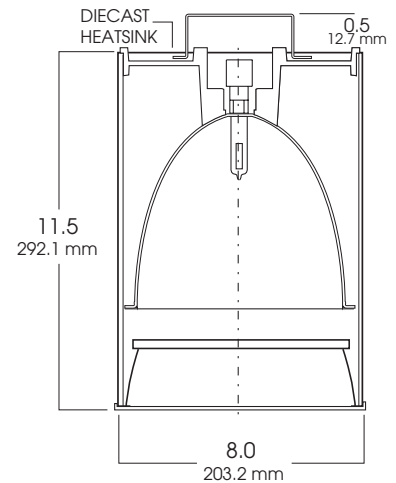
SM- Surface / Ceiling Mount



HM-Hang Straight Pendant
PM-Pendant Mount

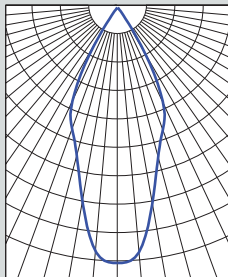


WM-Wall Mount



Fixture Weight: 15.0 lbs

DISTANCE FROM CEILING	DIAMETER OF CIRCLE
5.5	437
7.5	235
9.5	147
11.5	100
13.5	73



CONE OF LIGHT

MD-500w-Efficiency: 67.1%
Spacing: 0.61

SERIES	LAMP	WATTS	DISTRIBUTION	REFLECTOR	MOUNTING	FINISH
SPC0812- Spectrum Incandescent Cylinder	QT4 (Mini Can) USE EITHER: Osram, Sylvania or Ushio- America Frosted Mini-Can screw base lamps	150 250 500	ND -Narrow MD -Medium WD -Wide	7812-SG/VCL -Soft Glow Alzak / Vycor Lens (standard) CC/VCL -Custom Color / Vycor™ Lens BB -Black Micro Baffle WB -White Micro Baffle SCR -Stainless Steel Mesh Diffuser	HM* -Hang-Straight Mounting HMAT** -Field Cutable Length Hang Straight Pendant PM* -Pendant Mount SM -Surface Mount WM -Wall Mount * Specify Length in inches **12" or 36" lengths only See Cylinder Mounting Page for Additional Information	GW -Gloss White GB Gloss Black MW -Matte White MB -Matte Black BZ -Bronze PT -Platinum Silver MT -Mini Tek Silver TW -Textured White CC -Custom Color
SPC0812	QT4	250	MD	7812 SG/VCL	HM36	GW

Dimensions shown are nominal. Spectrum Lighting is continually improving products and reserves the right to make changes that will not alter performance or appearance with or without written notice.

SPECTRUM
LIGHTING, INC
www.speclight.com

PROJECT:

TYPE:

CAT. NO.:

