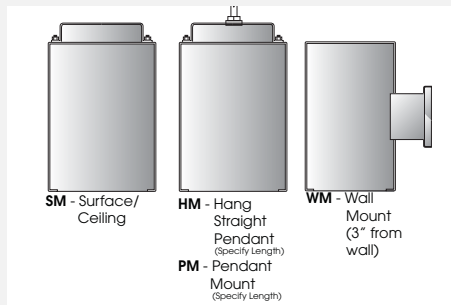


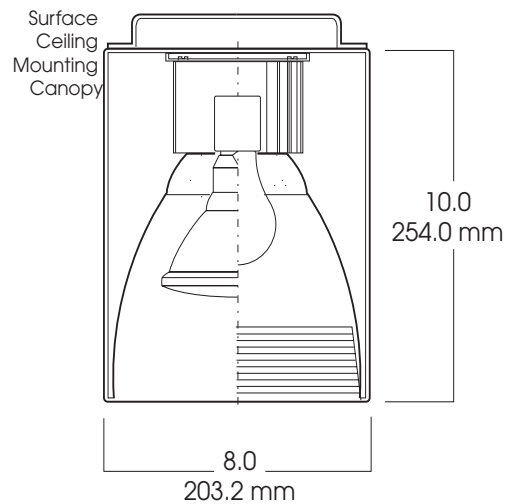
FEATURES:

- 8" diameter cylinder series for use with PAR, "R" , or A lamps
- Soft Glow Alzak reflector standard. Rolled flange to finish edge.
- Solid aluminum cylinder.
- 250 watt max incandescent/integral heat-sink
- 20 color options, matte white standard.
- Suitable for damp locations
- **120 Volt standard.**
- Manufactured and tested to UL standard No. 1598. ETL Listed.

**8" INCANDESCENT CYLINDER
OPEN BAFFLE REFLECTOR
250 WATT MAXIMUM**



Dimensions shown are nominal. Spectrum Lighting is continually improving products and reserves the right to make changes that will not alter performance or appearance.



SERIES

SPC0810IN

SPC0810IN-
Incandescent
Spectrum
Cylinder

REFLECTOR

- 8115 SG-** Soft Glow Alzak(standard)
- 8115 *-** Other finish- Consult Factory
- BB -** Black Micro Baffle
- WB -** White Micro Baffle

MOUNTING

- SM -** Surface/ Ceiling
- CD -** Aircraft cable & Cord (**CD-CC** Cable & Coil Cord)
- CM -** Cable Mount
- HM -** Hang Straight Pendant Mount (Specify Length in inches)
- PM -** Pendant Mount (Specify Length in inches)
- WM -** Wall Mount

FINISH

- MW-** MatteWhite (Standard)
- MB-** Matte Black
- BZ -** Bronze

Choose from 20 other available finishes
Consult Factory

**LAMPING
FOR THIS
FIXTURE**

- A19**
- A21**
- A23**
- PAR30**
- PAR38**
- R30**

TYPICAL ORDER

SPC0810IN/8115CL/HM30/MW

