

8" CYLINDER SERIES LENSED 8" ROUND A/PAR-150 WATT MAX INC

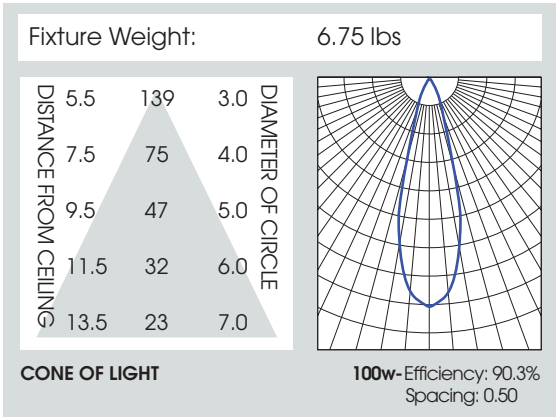
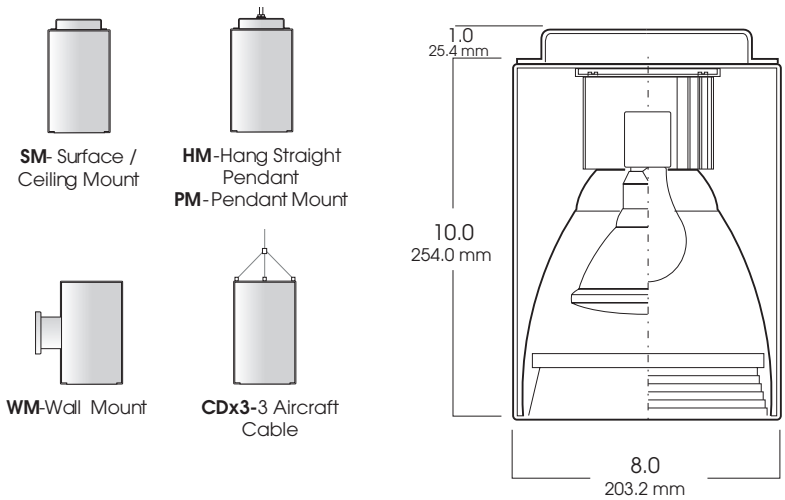
SPC08 SPECTRUM CYLINDERS



PRODUCT INFORMATION:

- 8" diameter cylinder series for use with incandescent lamps.
- Spun aluminum cylinder.
- 150 watt max incandescent.
- 20 powder coat options.
- Suitable for damp locations. Wet location available.
- 120 Volt standard.
- Manufactured and tested to UL standard No. 1598.

MOUNTING



SERIES	LAMP	REFLECTOR	LENSES	MOUNTING	FINISH
SPC0810INC- Spectrum Incandescent Cylinder	A 19 A 21 A23 PAR30 PAR38 R30	8125-SG -Semi-Diffuse Low Iridescent RB -Regressed Baffle / Splay	PG -Prismatic Glass Lens FG -Frosted Glass Lens GL -Glass Lens FL -Fresnel Glass Lens SO -Micro Prism Solite™ Lens WL -Wet Location	HM* -Hang-Straight Mounting HMAT** -Field Cutable Length Hang Straight Pendant PM* -Pendant Mount SM -Surface Mount WM -Wall Mount CDx3 -3 Aircraft Cable & Cord	GW -Gloss White GB -Gloss Black MW -Matte White MB -Matte Black BZ -Bronze PT -Platinum Silver MT -Mini Tek Silver TW -Textured White CC -Custom Color
SPC0810INC	PAR38	8125 SG	PG	HM36	GW

* Specify Length in inches
**12" or 36" lengths only
See Cylinder Mounting Page for Additional Information

Dimensions shown are nominal. Spectrum Lighting is continually improving products and reserves the right to make changes that will not alter performance or appearance with or without written notice.



PROJECT:	TYPE:
CAT. NO.:	

