

INFINIUM™ LED SERIES

SELF COOLING 7" ROUND CYLINDER

3 x 14 WATT LED

SPC07
SPECTRUM
CYLINDERS

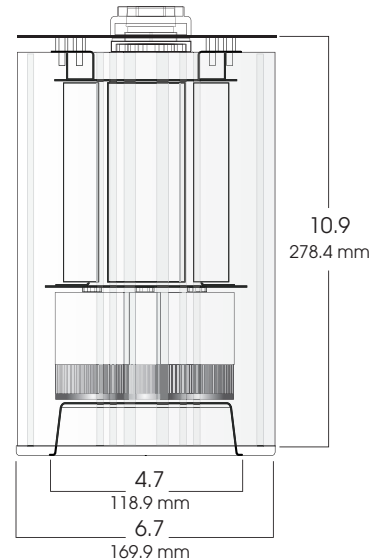
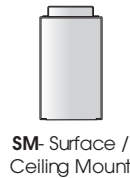


Fixture Weight: 7.5 lbs

PRODUCT INFORMATION:

- 7" Infinium™ *Pulse-Tech* cylinder series features extruded aluminum LED lighting tool.
- High output 20w/30w LED emitters.
- Narrow, Medium and Wide distribution options.
- 20 powdercoat options.
- Suitable for damp locations.
- Manufactured and tested to UL standard No. 8750.

MOUNTING



KELVIN°	WATTAGE	LUMENS
27K°	14W	350 x 3
31K°	14W	375 x 3
35K°	14W	400 x 3
41K°	14W	480 x 3
55K°	14W	560 x 3

SERIES	LED	KELVIN	BEAM	VOLTS	OPTIONS	MOUNTING	FINISH
SPC0710LED- Spectrum Infinium™ LED Cylinder	3 x 14w	27K -2700° Kelvin 31K -3100° Kelvin 35K -3500° Kelvin 41K -4100° Kelvin 55K -5500° Kelvin	ND MD WD	E1 -120v E2 -277v	FS -Fuse Holder and Fuse GS -Gasket	HM* -Hang-Straight Mounting HMAT** -Field Cutable Length Hang Straight Pendant PM* -Pendant Mount SM -Surface Mount WM -Wall Mount CDx3 -3 Aircraft Cable & Cord	GW -Gloss White GB -Gloss Black MW -Matte White MB -Matte Black BZ -Bronze PT -Platinum Silver MT -Mini Tek Silver TW -Textured White CC -Custom Color
SPC0710LED	3X14W	31K	MD	E1	FS	HM36	GW

Dimensions shown are nominal. Spectrum Lighting is continually improving products and reserves the right to make changes that will not alter performance or appearance with or without written notice.



PROJECT:	TYPE:
CAT. NO.:	

