



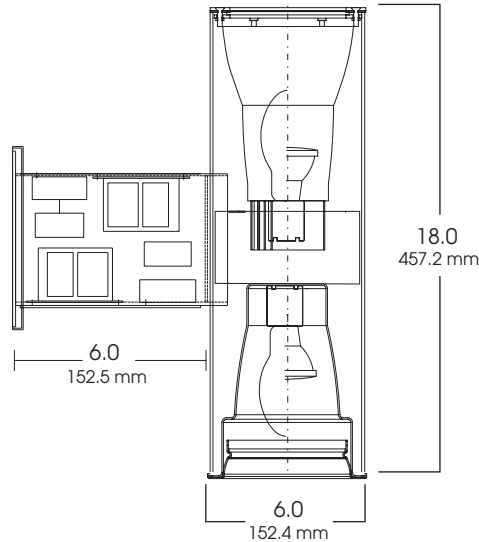
**6" CYLINDER SERIES**  
**LENSED 6" DIRECT / INDIRECT**  
 PAR/ED-70 WATT MAX MH  
 \*WET LOCATION OPTION

**SPC06**  
**SPECTRUM**  
**CYLINDERS**

**PRODUCT INFORMATION:**

- 6" cylinder series provides direct and indirect lighting.
- For use with two metal halide lamps.
- Extruded aluminum cylinder.
- PAR or ED17 lamps. 70 watt max.
- 20 powder coat options.
- Suitable for damp locations.
- Manufactured and tested to UL standard No. 1598.

Fixture Weight: 35.0 lbs



SERIES	UP	DOWN	BALLAST	OPTIONS	REFLECTOR	LENS	MOUNTING	FINISH
<b>SPC0618UDMH-</b> Spectrum Direct/ Indirect Metal Halide Cylinder	<b>(39)</b> <b>(50)</b> <b>(70)</b>	<b>(39)</b> <b>(50)</b> <b>(70)</b>	<b>E1</b> -Electronic 120v <b>E2</b> -Electronic 277v <b>H1</b> -Magnetic ballast, 120v <b>H2</b> -Magnetic ballast, 277v	<b>FS</b> -Fuse Holder and Fuse <b>QRS</b> -Quartz Re- Strike* <b>QEM</b> -Quartz Emergency Circuit  *Specify Voltage 120v or 277v	<b>5325-SG</b> -Semi- Diffuse Low Iridescent <b>WH</b> -White Finish <b>BB</b> -Black Micro Baffle <b>WB</b> -White Micro Baffle	<b>GL</b> -Clear Tempered Glass Lens <b>FG</b> -Frosted Glass Lens <b>SO</b> -Micro Prism Solite™ Lens <b>WL</b> -Wet Location	<b>WM</b> -Wall Mount (Ballast Mounted in Arm)	<b>GW</b> -Gloss White <b>GB</b> -Gloss Black <b>MW</b> -Matte White <b>MB</b> -Matte Black <b>BZ</b> -Bronze <b>PT</b> -Platinum Silver <b>MT</b> -Mini Tek Silver <b>TW</b> -Textured White <b>CC</b> -Custom Color
<b>SPC0618UDMH</b>	<b>(39)</b>	<b>(70)</b>	<b>E1</b>	<b>FS</b>	<b>5325 SG</b>	<b>GL/WL</b>	<b>WM</b>	<b>GW</b>

Dimensions shown are nominal. Spectrum Lighting is continually improving products and reserves the right to make changes that will not alter performance or appearance with or without written notice.



<b>PROJECT:</b>	<b>TYPE:</b>
<b>CAT. NO.:</b>	

