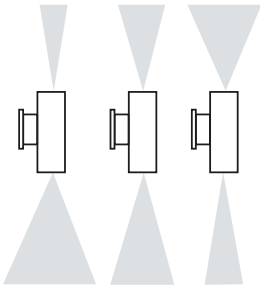


INFINIUM™ LED SERIES LENSED 6" UP/DOWN CYLINDER 2 x 14 WATT LED

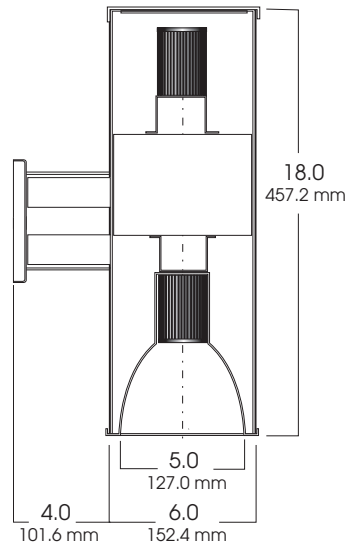
SPC06
SPECTRUM
CYLINDERS



Fixture Weight: 14.00 lbs



KELVIN°	WATTAGE	LUMENS
27K°	14W	350
31K°	14W	375
35K°	14W	400
41K°	14W	480
55K°	14W	560



PRODUCT INFORMATION:

- 6" Infinium™ *Pulse-Tech* cylinder series features integral air-cooling technology. Direct and Indirect lighting.
- Single high powered LED produces point source quality and luminaire focus.
- 50,000 hours rated lamp life mean low maintenance.
- High flux density 14 watt LED Sof Line. All LED modules are replaceable and upgradeable.
- 20 powdercoat options, gloss white standard.
- Suitable for damp locations. Wet location available.
- Manufactured and tested to UL standard No. 8750.

SERIES	LED	KELVIN	BEAM	VOLTS	TRIM	OPTIONS	MOUNT.	FINISH
SPC0618UDLED- Spectrum LED Up/Down Cylinder	2 x 14w	27K -2700° Kelvin 31K -3100° Kelvin 35K -3500° Kelvin 41K -4100° Kelvin 55K -5500° Kelvin	(U) ND / (D) ND (U) MD / (D) MD (U) WD / (D) WD	E1 -120v E2 -277v	5715-SG -Semi-Diffuse Low Iridescent MW -Matte White MB -Matte Black	WL -Wet Location	WM -Wall Mount	GW -Gloss White GB -Gloss Black MW -Matte White MB -Matte Black BZ -Bronze PT -Platinum Silver MT -Mini Tek Silver TW -Textured White CC -Custom Color
SPC0618UDLED	2X14W	31K	WD/MD	E1	5715 MW	WL	WM	GW

Dimensions shown are nominal. Spectrum Lighting is continually improving products and reserves the right to make changes that will not alter performance or appearance with or without written notice.



PROJECT:	TYPE:
CAT. NO.:	

