



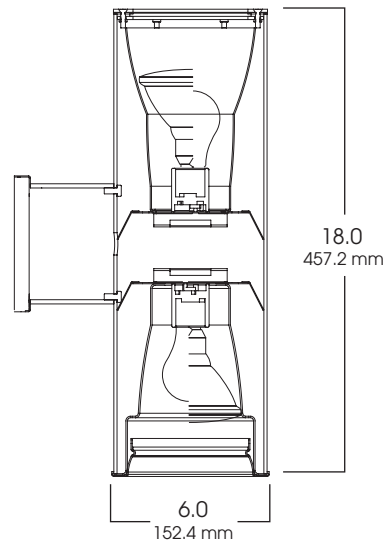
6" CYLINDER SERIES
LENSED 6" ROUND-DIRECT / INDIRECT
A/PAR/R-100 WATT MAX INC
 *WET LOCATION OPTION

SPC06
SPECTRUM
CYLINDERS

PRODUCT INFORMATION:

- 6" cylinder series provides direct and indirect lighting for use with incandescent lamps.
- Heavy gauge extruded aluminum cylinder.
- 100 watt max incandescent.
- 20 powder coat options.
- Suitable for damp locations. Wet location available.
- Consult factory for hang mount options.
- 120 Volt standard.
- Manufactured and tested to UL standard No. 1598.

Fixture Weight: 15.0 lbs



SERIES	LAMP	TRIM / FINISH	LENSES	MOUNTING	FINISH
SPC0618UDINC- Spectrum Direct/Indirect Incandescent Cylinder	PAR30 A19	5325-SG -Semi-Diffuse Low Iridescent RB -Regressed Baffle / Splay	PG -Prismatic Glass Lens FG -Frosted Glass Lens GL -Glass Lens FL -Fresnel Glass Lens SO -Micro Prism Solite™ Lens WL -Wet Location	WM -Wall Mount	GW -Gloss White GB -Gloss Black MW -Matte White MB -Matte Black BZ -Bronze PT -Platinum Silver MT -Mini Tek Silver TW -Textured White CC -Custom Color
SPC0618UDINC	PAR30	5325 SG	PG	WM	GW

Dimensions shown are nominal. Spectrum Lighting is continually improving products and reserves the right to make changes that will not alter performance or appearance with or without written notice.

PROJECT:	TYPE:
CAT. NO.:	

