

6" CYLINDER SERIES

LENSED 6" ROUND DIRECT/INDIRECT

42 WATT MAX CF

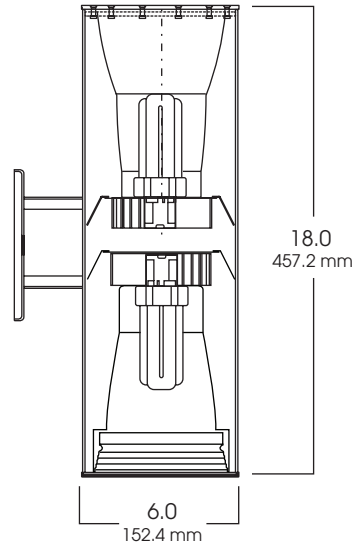
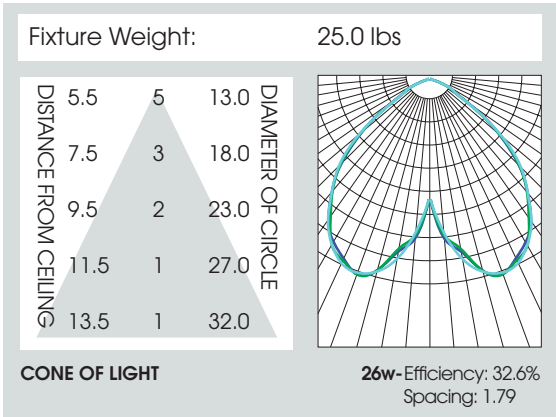
*WET LOCATION OPTION

SPC06
SPECTRUM
CYLINDERS



PRODUCT INFORMATION:

- 6" cylinder series provides direct and indirect lighting.
- For use with compact fluorescent lamps.
- Top lens gasketed.
- Heavy gauge extruded aluminum cylinder.
- 42 watt max compact fluorescent.
- 20 powder coat options.
- Suitable for damp locations. Wet location available.
- Consult factory for hang mount options.
- Manufactured and tested to UL standard No. 1598.



SERIES	UP	DOWN	BALLAST	OPTIONS	TRIM	SPLAY	LENSES	MOUNTING	FINISH
SPC0618UDCF- Spectrum Direct/ Indirect Compact Fluorescent Cylinder	(18) (26) (32) (42)	(18) (26) (32) (42)	EX-Electronic 120v/277v	FS -Fuse Holder and Fuse EMRM -Emergency Remote Ballast (36" MAX distance to ballast) EMENC -Remote Ballast Enclosure	5325-SG	-Soft Glow Alzak Splay / Flange RB -Regressed Baffle Splay CC -Custom Color	PG -Prismatic Glass Lens FG -Frosted Glass Lens GL -Glass Lens FL -Fresnel Glass Lens WL -Wet Location	WM -Wall Mount (Ballast Mounted in Arm)	GW -Gloss White GB -Gloss Black MW -Matte White MB -Matte Black BZ -Bronze PT -Platinum Silver MT -Mini Tek Silver TW -Textured White CC -Custom Color
SPC0618UDCF	(18)	(32)	EX	FS	5325	SG	PG	WM	GW

Dimensions shown are nominal. Spectrum Lighting is continually improving products and reserves the right to make changes that will not alter performance or appearance with or without written notice.



PROJECT:	TYPE:
CAT. NO.:	

