

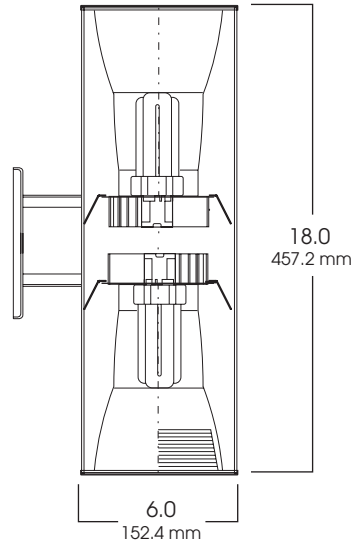
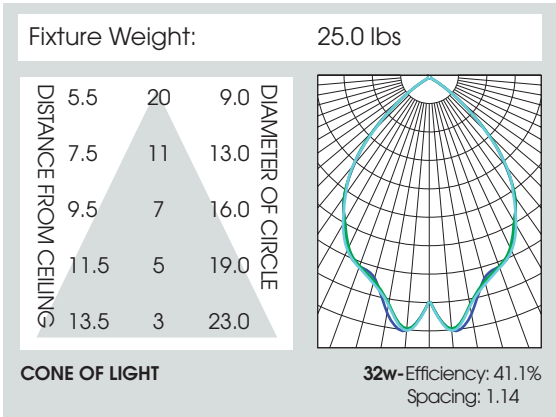


6" CYLINDER SERIES
OPEN 6" ROUND DIRECT/INDIRECT
42 WATT MAX CF
 *DAMP LOCATION ONLY

SPC06
SPECTRUM
CYLINDERS

PRODUCT INFORMATION:

- 6" cylinder series provides direct and indirect lighting.
- For use with compact fluorescent lamps.
- Heavy gauge extruded aluminum cylinder.
- 57 watt max compact fluorescent.
- 20 powder coat options.
- Suitable for damp locations.
- Consult factory for hang mount options.
- Manufactured and tested to UL standard No. 1598.



SERIES	UP	DOWN	BALLAST	OPTIONS	REFLECTOR	MOUNTING	FINISH
SPC0618UDCF- Spectrum Direct/ Indirect Compact Fluorescent Cylinder	(18) (26) (32) (42)	(18) (26) (32) (42)	EX -Electronic 120v/277v	FS -Fuse Holder and Fuse EMRM -Emergency Remote Ballast (36" MAX distance to ballast) EMENC -Remote Ballast Enclosure	5315-SG -Soft Glow Alzak CC -Custom Color BB -Black Micro Baffle WB -White Micro Baffle	WM -Wall Mount (Ballast Mounted in Arm)	GW -Gloss White GB -Gloss Black MW -Matte White MB -Matte Black BZ -Bronze PT -Platinum Silver MT -Mini Tek Silver TW -Textured White CC -Custom Color
SPC0618UDCF	(18)	(32)	EX	FS	5315 SG	WM	GW

Dimensions shown are nominal. Spectrum Lighting is continually improving products and reserves the right to make changes that will not alter performance or appearance with or without written notice.



PROJECT:	TYPE:
CAT. NO.:	

