

6" SQUARE CYLINDER SERIES OPEN 6" SQUARE 1 x 42 WATT MAX CF

SPC06
SPECTRUM
CYLINDERS



PRODUCT INFORMATION:

- 6" square cylinder series for use with compact fluorescent lamps.
- Heavy gauge extruded aluminum square cylinder.
- 42 watt max triple tube compact fluorescent lamp.
- 20 powder coat options.
- Suitable for damp locations.
- Manufactured and tested to UL standard No. 1598.

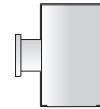
MOUNTING



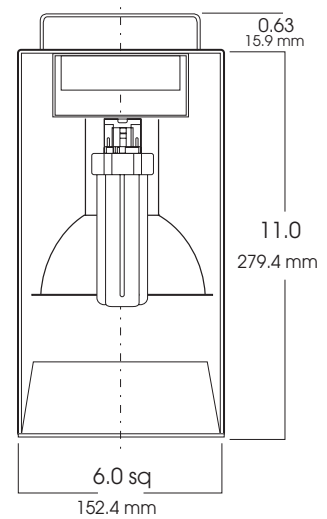
SM- Surface / Ceiling Mount



HM-Hang Straight Pendant
PM-Pendant Mount

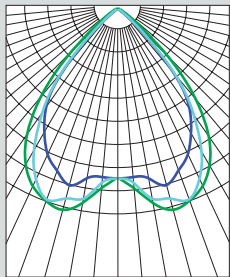


WM-Wall Mount



Fixture Weight: 7.5 lbs

| DISTANCE FROM CEILING | DIAMETER OF CIRCLE |
|-----------------------|--------------------|
| 5.5 | 17 |
| 7.5 | 9 |
| 9.5 | 6 |
| 11.5 | 4 |
| 13.5 | 3 |



CONE OF LIGHT

42w-Efficiency: 29.3%
Spacing: 1.24

| SERIES | WATTS | BALLAST | OPTIONS | REFLECTOR | TRIM | OPTIONS | MOUNTING | FINISH |
|--|--|--|--|--|--|--|---|--------|
| SPC0611SQCF- Compact Fluorescent Spectrum Square Cylinder | 13 18 26 32 42' | EX -Electronic 120v / 277v (standard) Consult Factory for Dimming Options | FS -Fuse holder and fuse EMRM -Emergency Remote Ballast (90" MAX distance to ballast) EMENC -Remote Ballast Enclosure CP113 -Ceiling Surface Enclosure | 0305-SG -Soft Glow Alzak (standard) MW -Matte White MB -Matte Black NT -No Trim, Open Interior Color of Cylinder | GL -Clear Tempered Glass Lens PG -Prismatic Glass Lens SO -Micro Prism Solite™ Lens WL -Wet Location | HM* -Hang-Straight Mounting HMAT** -Field Cutable Length Hang Straight Pendant PM* -Pendant Mount SM -Surface Mount WM -Wall Mount | GW -Gloss White GB -Gloss Black MW -Matte White MB -Matte Black BZ -Bronze PT -Platinum Silver MT -Mini Tek Silver TW -Textured White CC -Custom Color | |
| SPC0611SQCF | 42 | EX | FS | 0305 SG | GL | HM36 | GW | |

Dimensions shown are nominal. Spectrum Lighting is continually improving products and reserves the right to make changes that will not alter performance or appearance with or without written notice.



PROJECT:

TYPE:

CAT. NO.:

