

6" CYLINDER SERIES LENSED 6" ROUND 1 x 42 WATT MAX CF

SPC06 SPECTRUM CYLINDERS



PRODUCT INFORMATION:

- 6" round cylinder series for use with compact fluorescent lamps.
- Drawn aluminum cylinder.
- 42 watt max triple tube compact fluorescent lamp.
- 20 powder coat options.
- Suitable for damp locations. Wet locations **WL** option.
- Manufactured and tested to UL standard No. 1598.

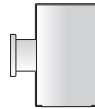
MOUNTING



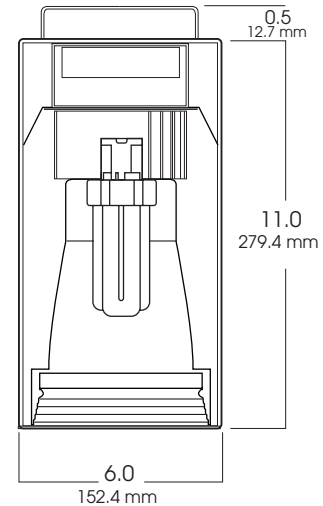
SM- Surface / Ceiling Mount



HM-Hang Straight
PM-Pendant Mount



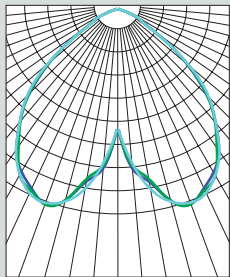
WM-Wall Mount



Fixture Weight:

6.0 lbs

DISTANCE FROM CEILING	DIAMETER OF CIRCLE
5.5	5
7.5	3
9.5	2
11.5	1
13.5	1



CONE OF LIGHT

26w-Efficiency: 32.6%
Spacing: 1.79

SERIES	WATTS	BALLAST	OPTIONS	TRIM / SPLAY	LENS	MOUNTING	FINISH
SPC0611CF- Compact Fluorescent Spectrum Cylinder	13 18 26 32 42	EX -Electronic 120v / 277v (standard) Consult Factory for Dimming Options	FS -Fuse holder and fuse EMRM -Emergency Remote Ballast (90" MAX distance to ballast) EMENC -Remote Ballast Enclosure CP113 -Ceiling Surface Enclosure	5325-SG -Soft Glow Alzak Splay / Flange RB -Regressed Baffle Splay CC -Custom Color	GL -Clear Tempered Glass Lens FG -Frosted Glass Lens FL -Fresnel Glass Lens PG -Prismatic Glass Lens WL -Wet Location	HM* -Hang-Straight Mounting HMAT** -Field Cutable Length Hang Straight Pendant PM* -Pendant Mount SM -Surface Mount WM -Wall Mount * Specify Length in inches **12" or 36" lengths only See Cylinder Mounting Page for Additional Information	GW -Gloss White GB -Gloss Black MW -Matte White MB -Matte Black BZ -Bronze PT -Platinum Silver MT -Mini Tek Silver TW -Textured White CC -Custom Color
SPC0611CF	42	EX	FS	5325 SG	GL	HM36	GW

Dimensions shown are nominal. Spectrum Lighting is continually improving products and reserves the right to make changes that will not alter performance or appearance with or without written notice.



PROJECT:

TYPE:

CAT. NO.:

