

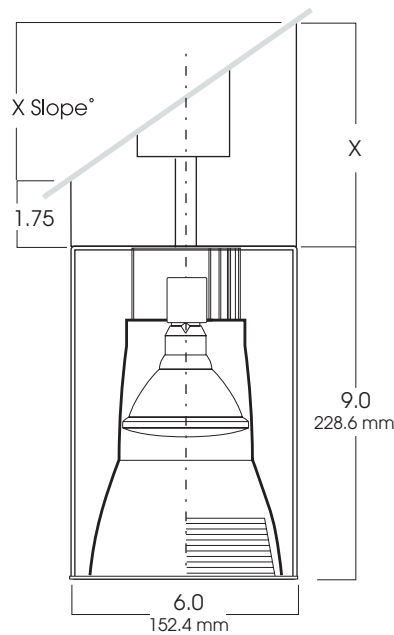
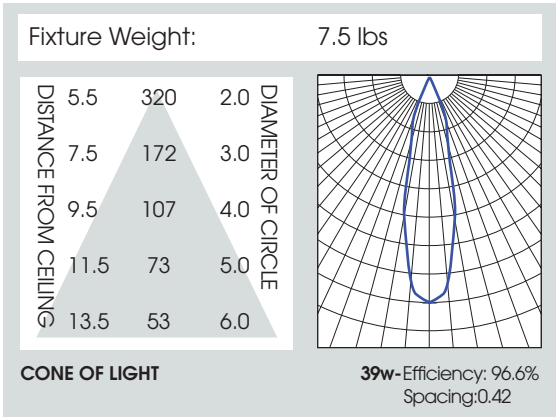
6" CYLINDER SLOPE SERIES OPEN 6" ROUND w/ SLOPE PAR20/30-39 WATT MAX MH

SPC06
SPECTRUM
CYLINDERS



PRODUCT INFORMATION:

- 6" diameter cylinder series with custom adaptor for slope ceiling.
- May be mounted directly to junction box.
- Surface mount only.
- Soft Glow trim standard.
- 20 powder coat options.
- Suitable for damp locations.
- Manufactured and tested to UL standard No. 1598.



SERIES	WATTS	BALLAST	OPTIONS	REFLECTOR	SLOPE	FINISH
SPC0609SLMH- Metal Halide Spectrum Cylinder	20 39	EX -Electronic 120v / 277v (standard)	FS -Fuse holder and fuse	5315-SG -Soft Glow Alzak CC -Custom Color BB -Black Micro Baffle WB -White Micro Baffle	SMSL14 -10°-14° Slope SMSL19 -16°-19° Slope SMSL22 -20°-22° Slope SMSL26 -24°-36° Slope SMSL36 -28°-36° Slope SMSL45 -38°-45° Slope	GW -Gloss White GB -Gloss Black MW -Matte White MB -Matte Black BZ -Bronze PT -Platinum Silver MT -Mini Tek Silver TW -Textured White CC -Custom Color
SPC0609SLMH	39	EX	FS	5315 SG	SMSL26	GW

Dimensions shown are nominal. Spectrum Lighting is continually improving products and reserves the right to make changes that will not alter performance or appearance with or without written notice.



PROJECT:	TYPE:
CAT. NO.:	

