

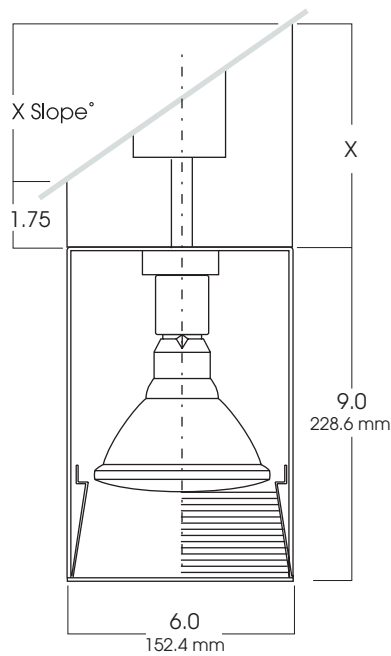
6" CYLINDER SERIES OPEN 6" ROUND w/SLOPE PAR-150 WATT MAX INC

SPC06
SPECTRUM
CYLINDERS



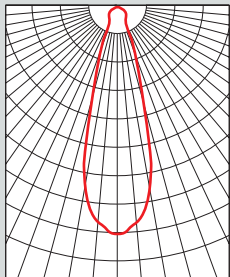
PRODUCT INFORMATION:

- 6" diameter cylinder series with custom adaptor for slope ceiling.
- May be mounted directly to junction box.
- Surface Mount Only.
- Heavy gauge drawn aluminum cylinder.
- 20 powder coat options.
- Suitable for damp locations.
- 120 Volt standard.
- Manufactured and tested to UL standard No. 1598.



Fixture Weight: 3.75 lbs

DISTANCE FROM CEILING		DIAMETER OF CIRCLE
5.5	294	3.0
7.5	158	4.0
9.5	99	5.0
11.5	67	6.0
13.5	49	7.0



CONE OF LIGHT

150w- Efficiency: 90.2%
Spacing: 0.50

SERIES	LAMP	REFLECTOR	SLOPE	FINISH
SPC0609SLINC- Spectrum Incandescent Cylinder	PAR20 PAR30 PAR38 R30	6030-SG -Semi-Diffuse Low Iridescent WH -White Finish BB -Black Micro Baffle WB -White Micro Baffle	SMSL14 -10°-14° Slope SMSL19 -16°-19° Slope SMSL22 -20°-22° Slope SMSL26 -24°-36° Slope SMSL36 -28°-36° Slope SMSL45 -38°-45° Slope	GW -Gloss White GB -Gloss Black MW -Matte White MB -Matte Black BZ -Bronze PT -Platinum Silver MT -Mini Tek Silver TW -Textured White CC -Custom Color
SPC0609SLINC	PAR38	6030 SG	SMSL26	GW

Dimensions shown are nominal. Spectrum Lighting is continually improving products and reserves the right to make changes that will not alter performance or appearance with or without written notice.



PROJECT:

TYPE:

CAT. NO.:

