

INFINIUM™ LED SERIES OPEN 6" ROUND CYLINDER 14 WATT LED

SPC06
SPECTRUM
CYLINDERS



Fixture Weight: 7.5 lbs

KELVIN°	WATTAGE	LUMENS
27K°	14W	350
31K°	14W	375
35K°	14W	400
41K°	14W	480
55K°	14W	560

PRODUCT INFORMATION:

- 6" Infinium™ *Pulse-Tech* cylinder series features integral air-cooling technology.
- Single high powered LED produces point source quality and luminaire focus.
- 50,000 hours rated lamp life mean low maintenance.
- High flux density 14 watt LED Sof Line. All LED modules are replaceable and upgradeable.
- 20 powdercoat options.
- Suitable for damp locations.
- Manufactured and tested to UL standard No. 8750.

MOUNTING



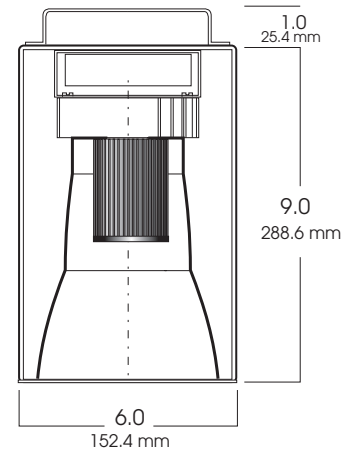
SM- Surface / Ceiling Mount



HM-Hang Straight Pendant
PM-Pendant Mount



WM-Wall Mount



SERIES	LED	KELVIN	BEAM	DRIVER	OPTIONS	TRIM	MOUNTING	FINISH
SPC0609LED- Spectrum Infinium™ LED Cylinder	14w	27K -2700° K 31K -3100° K 35K -3500° K 41K -4100° K 55K -5500° K	ND (12°) MD (22°) WD (38°)	E1 -Electronic, 120v E2 -Electronic, 277v	FS -Fuse Holder and Fuse CR -Corrosion Resistant WL -Wet Location	5312-SG -Semi- Diffuse Low Iridescent MW -Matte White MB -Matte Black	HM* -Hang-Straight Mounting HMAT** -Field Cutable Length Hang Straight Pendant PM* -Pendant Mount SM -Surface Mount WM -Wall Mount * Specify Length in inches ** 12" or 36" lengths only See Cylinder Mount- ing Page for Addi- tional Information	GW -Gloss White GB -Gloss Black MW -Matte White MB -Matte Black BZ -Bronze PT -Platinum Silver MT -Mini Tek Silver TW -Textured White CC -Custom Color
SPC0609LED	14W	31K	MD	E1	FS	5312 MW	HM36	GW

Dimensions shown are nominal. Spectrum Lighting is continually improving products and reserves the right to make changes that will not alter performance or appearance with or without written notice.



PROJECT:

TYPE:

CAT. NO.:

