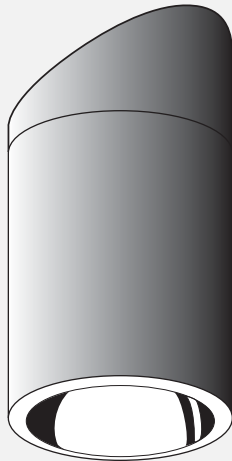


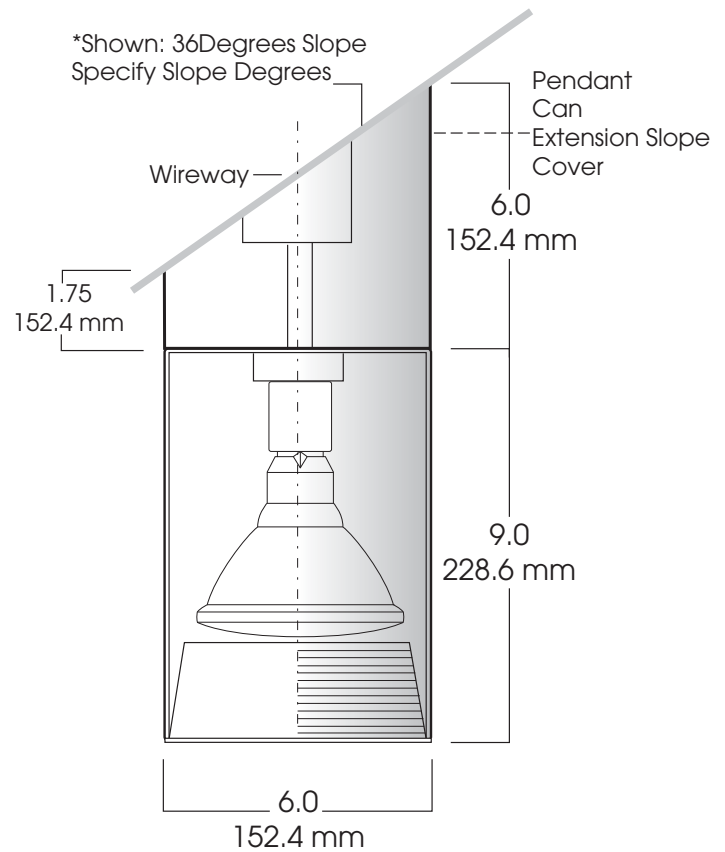
**FEATURES:**

- 6" diameter all aluminum series with custom adaptor for slope ceiling.
- Designed for PAR / R Lamps.
- May be mounted directly to junction box
- Soft Glow Alzak trim standard.
- Spun aluminum cylinder.
- 20 color options, matte white standard.
- Suitable for damp locations
- Electronic ballast 120/277
- Manufactured and tested to UL standard No. 1598. ETL Listed.



Dimensions shown are nominal. Spectrum Lighting is continually improving products and reserves the right to make changes that will not alter performance or appearance.

**6" CYLINDER SLOPE SERIES  
SURFACE MOUNTED  
150 WATT MAX**



**SERIES**

**SPC0609IN**

**Spectrum Lighting**  
Incandescent  
Cylinder for  
slope ceiling.

**SLOPE**

**SL26**

- SL14-** 10-14° Slope
- SL19-** 16-19° Slope
- SL22-** 20-22° Slope
- SL26-** 24-26° Slope
- SL36-** 28-36° Slope
- SL45-** 38-45° Slope

**OPTIONS**

- FS-** Fusing
- GS-** Gasket
- WL-** Wet Location
- TP-** Tamperproof

**TRIM**

- 6110 SG-** Soft Glow Alzak
- 6110 WE-** Wheat Alzak
- 6110 \*-** Other finishes available - consult factory
- BB-** Black Micro Baffle
- WB-** White Micro Baffle

**MOUNTING**

- SM-** Surface Mounting

**FINISH**

- MW-** MatteWhite (Standard)
- MB-** Matte Black
- BZ-** Bronze

Choose from 20 other available finishes  
Consult Factory

**TYPICAL ORDER**

**SPC0609SL26/6110SG/SM/MW**

