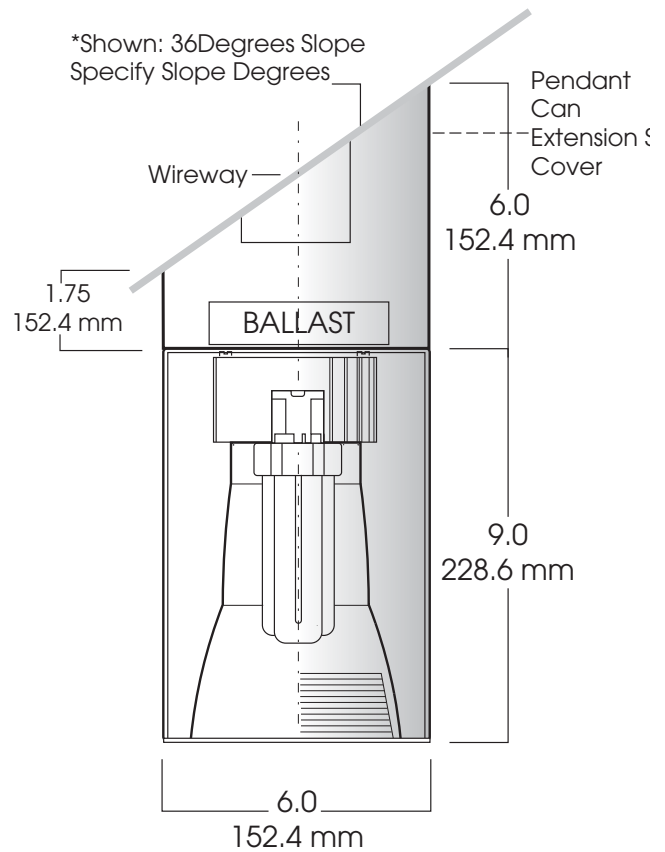


FEATURES:

- 6" diameter all aluminum series with custom adaptor for slope ceiling.
- Designed for PAR / R Lamps.
- May be mounted directly to junction box
- Soft Glow Alzak trim standard.
- Spun aluminum cylinder.
- 20 color options, matte white standard.
- Suitable for damp locations
- Electronic ballast 120/277
- Manufactured and tested to UL standard No. 1598. ETL Listed.



**6" CYLINDER SLOPE SERIES
SURFACE MOUNTED
32 WATT MAX**



Dimensions shown are nominal. Spectrum Lighting is continually improving products and reserves the right to make changes that will not alter performance or appearance.

SERIES	SLOPE	WATTS	BALLAST	OPTIONS	REFLECTOR	MOUNTING	FINISH
SPC0609CF	SL26						
Spectrum Lighting	SL14 - 10-14° Slope	13	EX - Electronic 120/277	FS - Fusing GS - Gasket	5315 SG - Soft Glow Alzak,	SM - Surface Mounting	MW - MatteWhite (Standard)
Compact Fluorescent Cylinder for slope ceiling.	SL19 - 16-19° Slope	18	(standard)	EMRM - Emergency Ballast Remote (specify voltage)	5315WE - Wheat Alzak 5315 * - Other finish (specify)		MB - Matte Black BZ - Bronze
	SL22 - 20-22° Slope	26	DIMMING - Consult Factory	EMRMIT - Emergency, Remote-Integral Switch (specify voltage)	BB - Black Micro Baffle WB - White Micro Baffle		Choose from 20 other available finishes Consult Factory
	SL26 - 24-26° Slope	32					
	SL36 - 28-36° Slope	TRT					
	SL45 - 38-45° Slope						

TYPICAL ORDER
SPC0609CFSL26/132EX/6110SG/SM/MW

